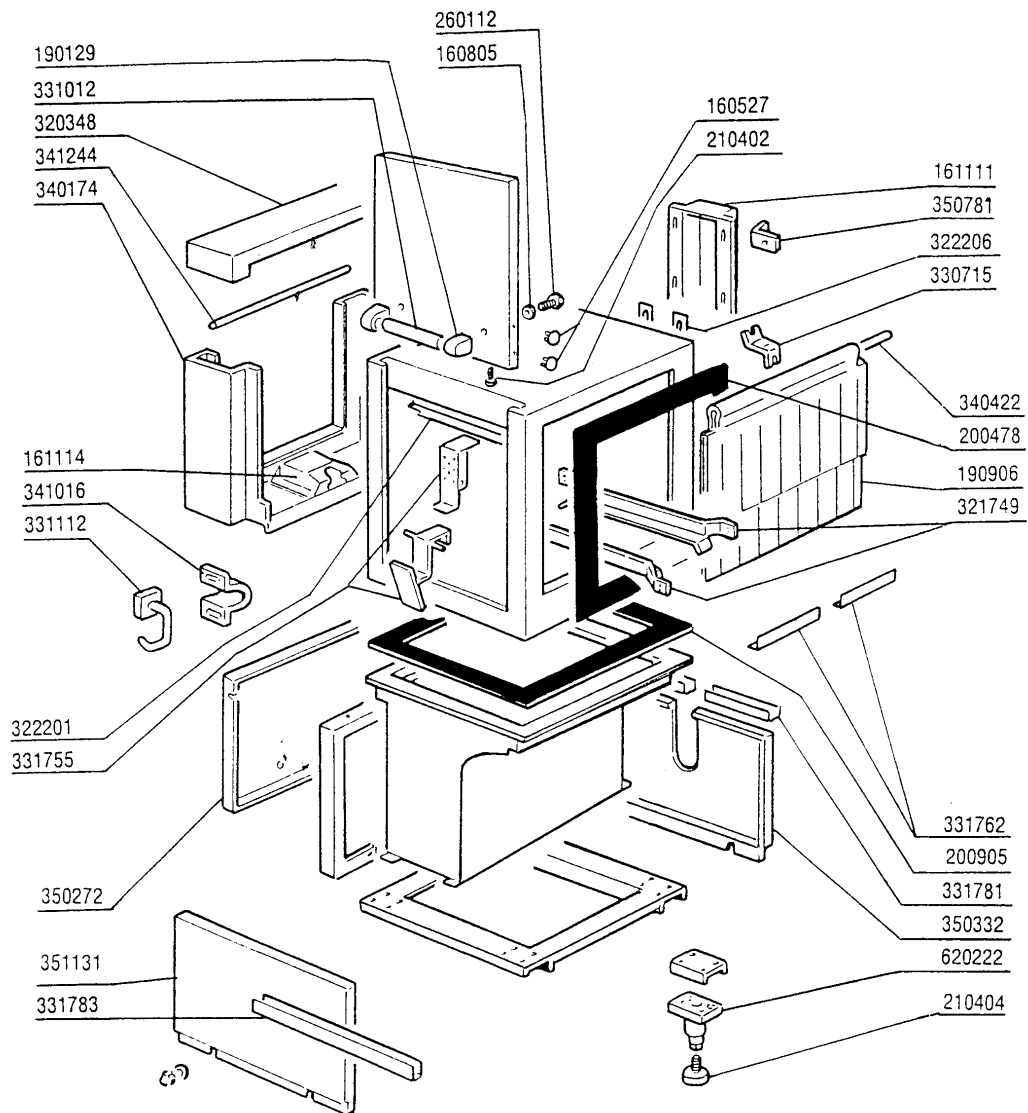


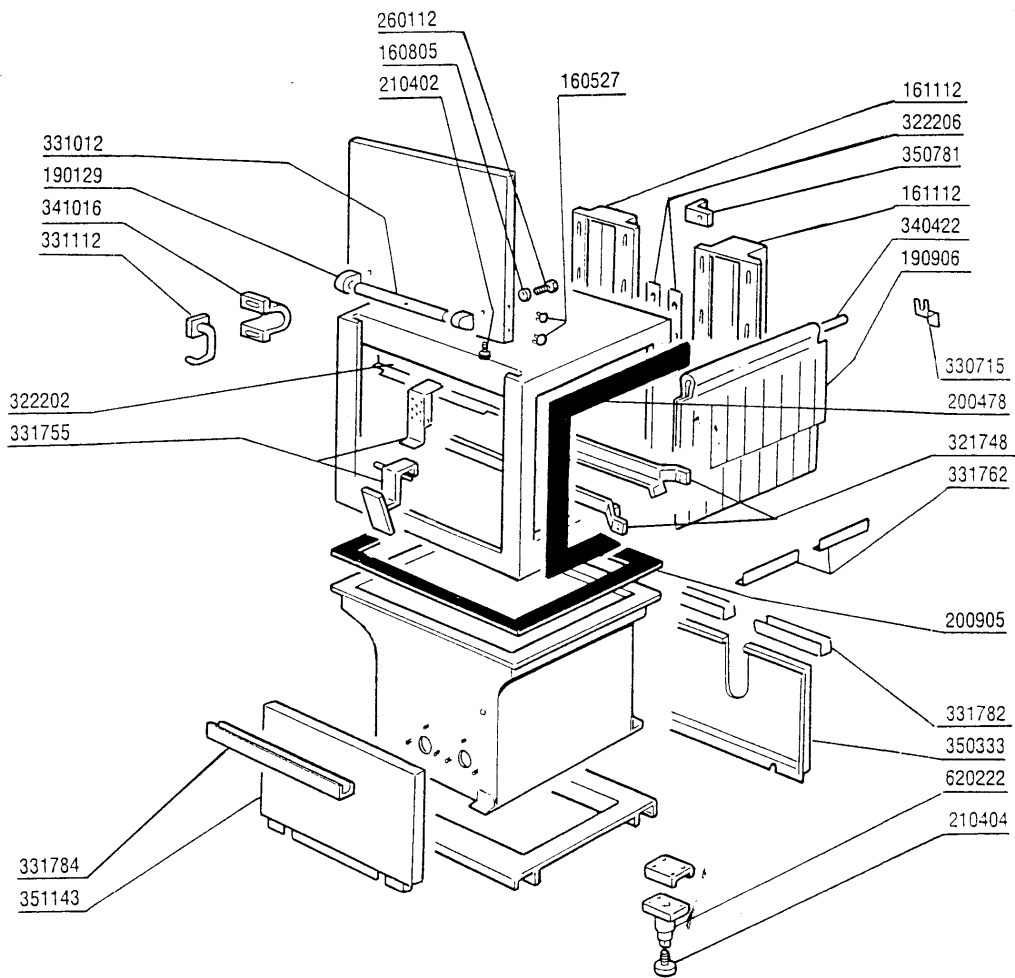
2 - Prewash Hood 600mm



2 - Prewash Hood 600mm

CODE	DESCRIPTION
160527	PLUG 14,5X2X8
160805	GASKET D.8
161111	BACK COVER CHANNEL 130 N S2900
161114	END COVER OF PAWL BAR S3-S2900
190129	HANDLE SUPPORT SE NE GREY
190906	CURTAIN IN/OUT 620X480
200478	SELF-ADHESIVE GASKET 65X4
200905	SELFADHESIVE GASKET 4X35
210402	PAD FOR DOOR 15-149
210404	BLACK RUBBER FOOT S90 NE SE
260112	STAINLESS STEEL TE-SCREW 8X16
320348	BASE TOP FOR SPLASH HOOD
321749	GUIDE
322201	.
322206	HOOD REENFORCER
330715	UPPER BRACKET CURTAIN SNL-SE
331012	HANDLE 412 MM DOOR SE NE G115
331112	HOOK (331116)
331755	HOOK FOR DOOR SUPPORT
331762	BRACKET SPLASH GUARD
331781	PANEL SUPPORT 88MM
331783	PANEL SUPPORT 475MM
340174	HOOD
340422	SHAFT FOR CURTAIN AC-ACR
341016	BRACKET FOR DOOR SECURITY HOOK
341244	LEVER
350272	PANEL
350332	PREWASH PANEL
350781	BRACKET
351131	PANEL
620222	COMPLETE ALUMINIUM LEGS

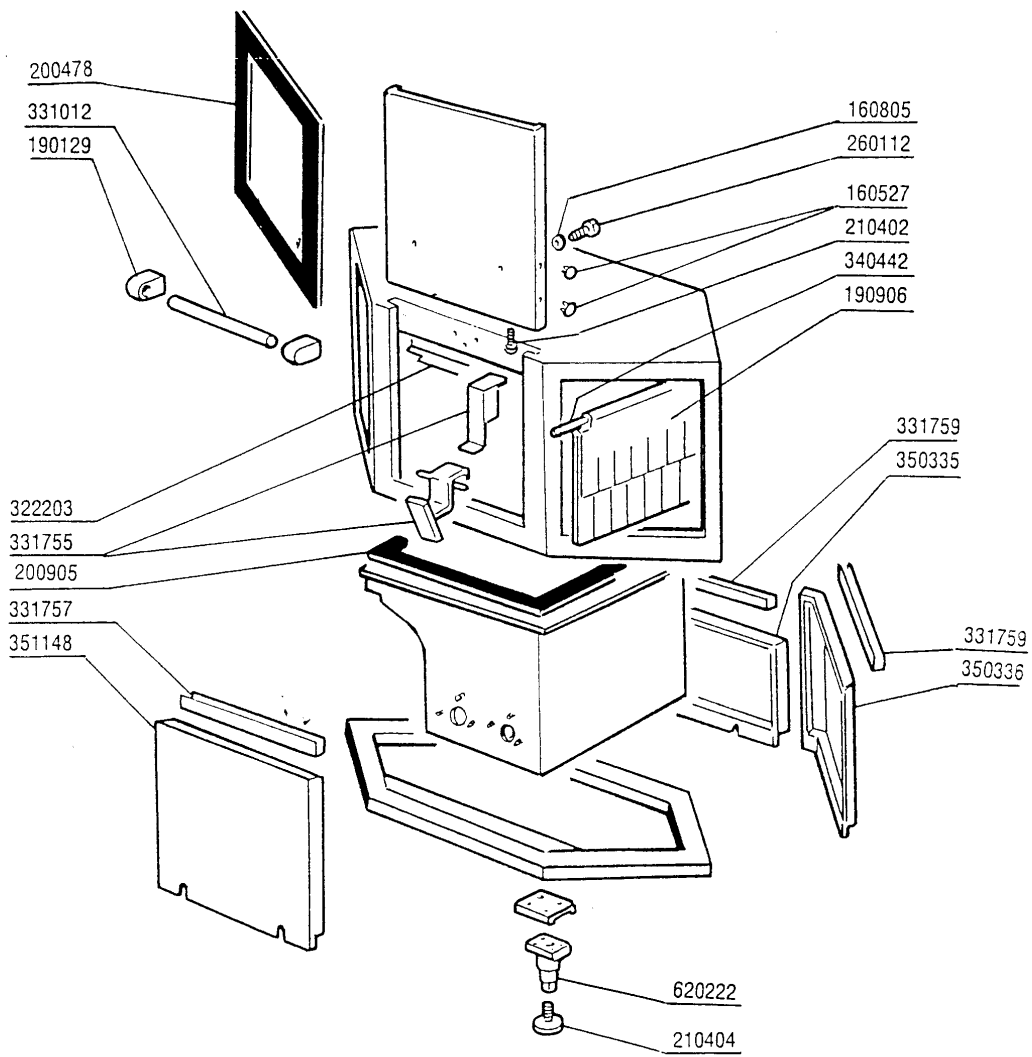
3 - Wash Hood 900mm



3 - Wash Hood 900mm

CODE	DESCRIPTION
160527	PLUG 14,5X2X8
160805	GASKET D.8
161112	BACK COVER CHANNEL 300 S N
190129	HANDLE SUPPORT SE NE GREY
190906	CURTAIN IN/OUT 620X480
200478	SELF-ADHESIVE GASKET 65X4
200905	SELFADHESIVE GASKET 4X35
210402	PAD FOR DOOR 15-149
210404	BLACK RUBBER FOOT S90 NE SE
260112	STAINLESS STEEL TE-SCREW 8X16
321748	GUIDE
322202	.
322206	HOOD REENFORCER
330715	UPPER BRACKET CURTAIN SNL-SE
331012	HANDLE 412 MM DOOR SE NE G115
331112	HOOK (331116)
331755	HOOK FOR DOOR SUPPORT
331762	BRACKET SPLASH GUARD
331782	PANEL SUPPORT 237MM
331784	PANEL SUPPORT 775MM
340422	SHAFT FOR CURTAIN AC-ACR
341016	BRAKET FOR DOOR SECURITY HOOK
350333	WASH PANEL
350781	BRACKET
351143	FRONT PANEL WASH ACR
620222	COMPLETE ALUMINIUM LEGS

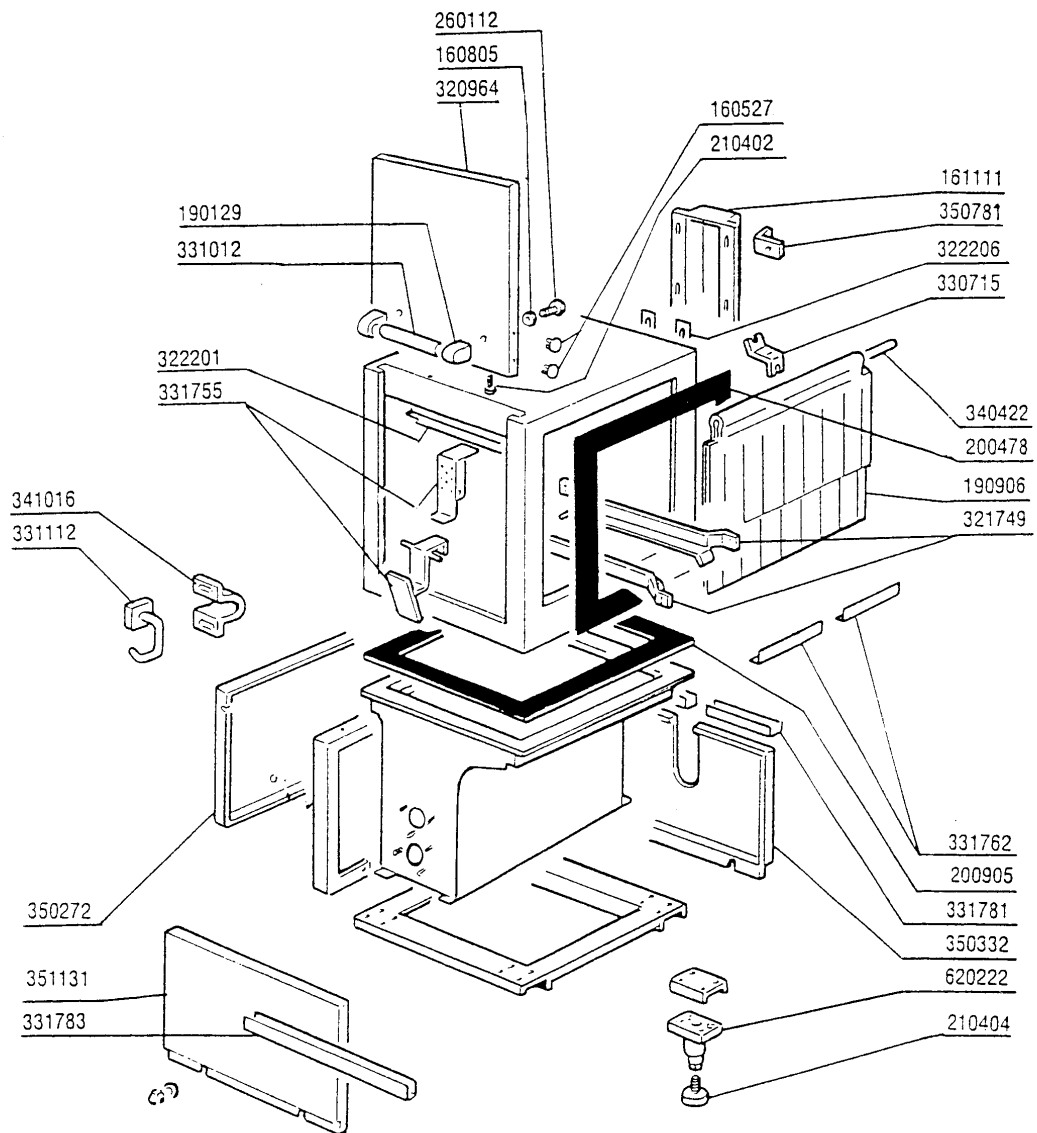
4 - Corner Wash Hood



4 - Corner Wash Hood

CODE	DESCRIPTION
160527	PLUG 14,5X2X8
160805	GASKET D.8
190129	HANDLE SUPPORT SE NE GREY
190906	CURTAIN IN/OUT 620X480
200478	SELF-ADHESIVE GASKET 65X4
200905	SELFADHESIVE GASKET 4X35
210402	PAD FOR DOOR 15-149
210404	BLACK RUBBER FOOT S90 NE SE
260112	STAINLESS STEEL TE-SCREW 8X16
322203	HOOD
331012	HANDLE 412 MM DOOR SE NE G115
331755	HOOK FOR DOOR SUPPORT
331757	DRYER PANEL SUPPORT
331759	SUPPORT
340442	SHAFT D.8 FOR CURTAIN
350335	PANEL
350336	PANEL
351148	FRONT PANEL FOR ACR CORNER WAS
620222	COMPLETE ALUMINIUM LEGS

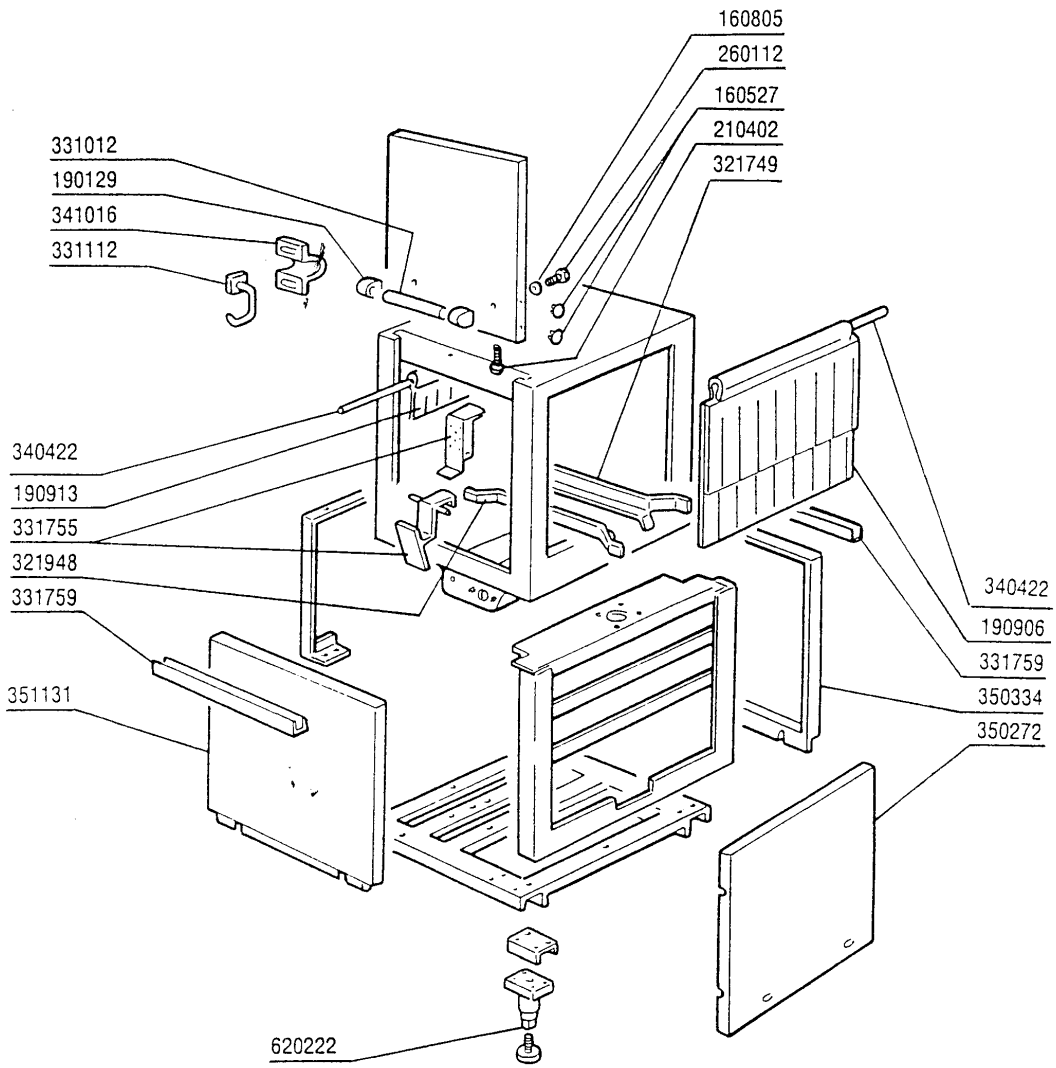
5 - Wash Hood 600mm



5 - Wash Hood 600mm

CODE	DESCRIPTION
160527	PLUG 14,5X2X8
160805	GASKET D.8
161111	BACK COVER CHANNEL 130 N S2900
190129	HANDLE SUPPORT SE NE GREY
190906	CURTAIN IN/OUT 620X480
200478	SELF-ADHESIVE GASKET 65X4
200905	SELFADHESIVE GASKET 4X35
210402	PAD FOR DOOR 15-149
210404	BLACK RUBBER FOOT S90 NE SE
260112	STAINLESS STEEL TE-SCREW 8X16
320964	DOOR
321749	GUIDE
322201	.
322206	HOOD REENFORCER
330715	UPPER BRACKET CURTAIN SNL-SE
331012	HANDLE 412 MM DOOR SE NE G115
331112	HOOK (331116)
331755	HOOK FOR DOOR SUPPORT
331762	BRACKET SPLASH GUARD
331781	PANEL SUPPORT 88MM
331783	PANEL SUPPORT 475MM
340422	SHAFT FOR CURTAIN AC-ACR
341016	BRACKET FOR DOOR SECURITY HOOK
350272	PANEL
350332	PREWASH PANEL
350781	BRACKET
351131	PANEL
620222	COMPLETE ALUMINIUM LEGS

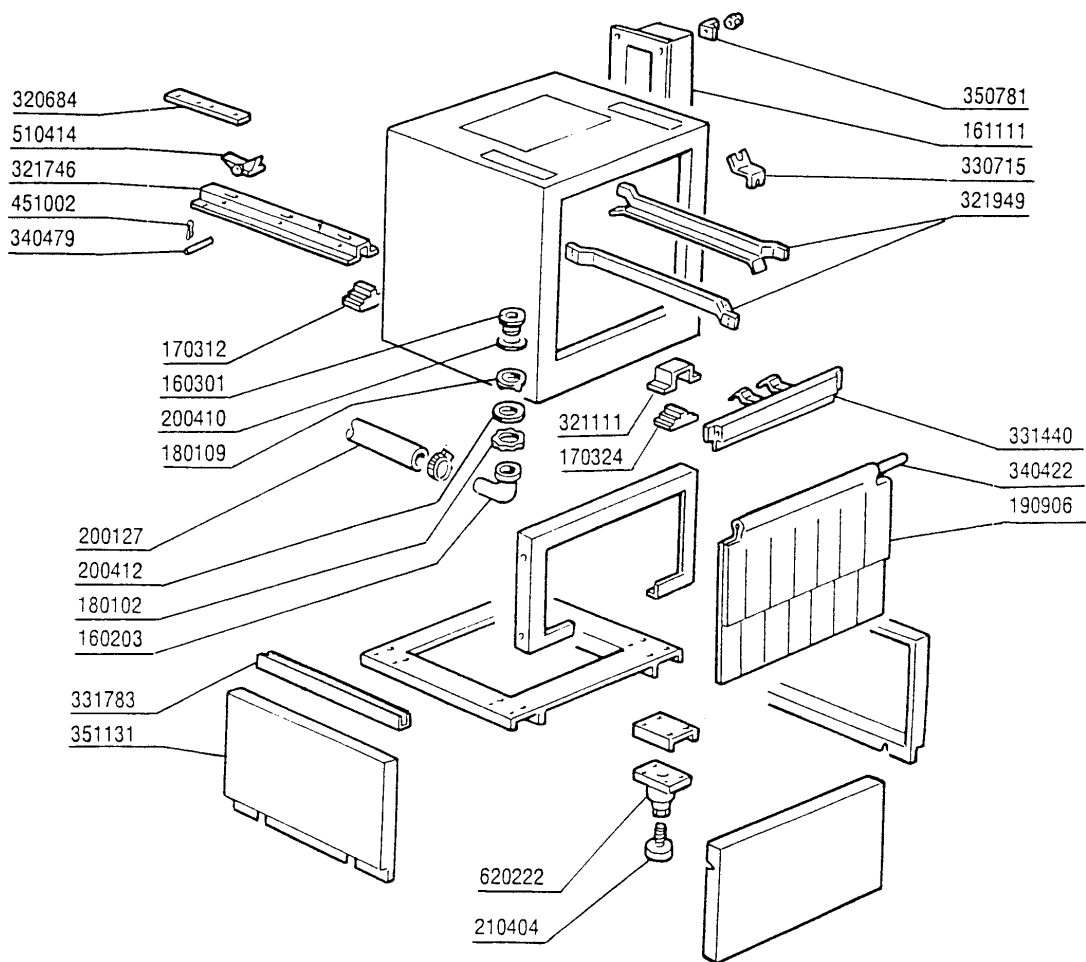
6 - Ecorinse Hood



6 - Ecorinse Hood

CODE	DESCRIPTION
160527	PLUG 14,5X2X8
160805	GASKET D.8
190129	HANDLE SUPPORT SE NE GREY
190906	CURTAIN IN/OUT 620X480
190913	CURTAIN FOR ECORINSE SE-620X27
210402	PAD FOR DOOR 15-149
260112	STAINLESS STEEL TE-SCREW 8X16
321749	GUIDE
321948	GUIDE
331012	HANDLE 412 MM DOOR SE NE G115
331112	HOOK (331116)
331755	HOOK FOR DOOR SUPPORT
331759	SUPPORT
340422	SHAFT FOR CURTAIN AC-ACR
341016	BRAKET FOR DOOR SECURITY HOOK
350272	PANEL
350334	ECORINSE PANEL
351131	PANEL
620222	COMPLETE ALUMINIUM LEGS

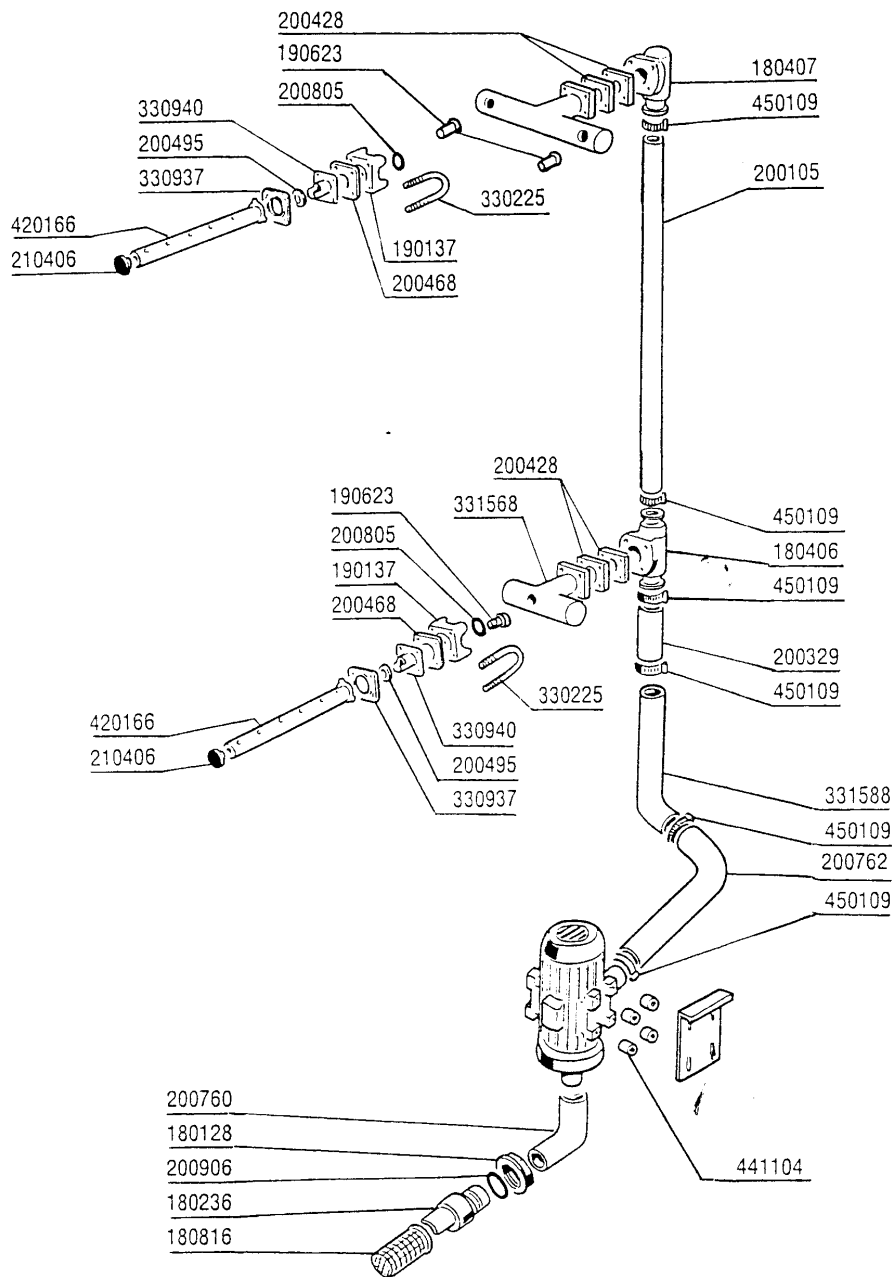
7 - Blower Dryer hood



7 - Blower Dryer hood

CODE	DESCRIPTION
160203	ELBOW 1"1/2 N-S-F-C /DRAIN
160301	DRAIN OUTLET 1"1/2 C-S-N
161111	BACK COVER CHANNEL 130 N S2900
170312	SUPPORT F.PAWL BAR GUIDE S90-
170324	GUIDE SUPPORT SE-S2200-290
180102	DRAIN PIPE NUT 1"1/2 F45-55
180109	LOCK NUT 1 1/2"
190906	CURTAIN IN/OUT 620X480
200127	PVC HOSE D.35
200410	DRAIN OUTL.WASH.1 1/2"65X47X2
200412	GASKET DRAIN 11/2" 45X33X3
210404	BLACK RUBBER FOOT S90 NE SE
320684	BRACKET
321111	COVER
321746	GUIDE
321949	GUIDE
330715	UPPER BRACKET CURTAIN SNL-SE
331440	PANEL
331783	PANEL SUPPORT 475MM
340422	SHAFT FOR CURTAIN AC-ACR
340479	PAWL PINS SNL-SE
350781	BRACKET
351131	PANEL
451002	COTTER PIN STAINL.ST. D2X12
510414	NICKEL-PLATED PAWL SNL-SE
620222	COMPLETE ALUMINIUM LEGS

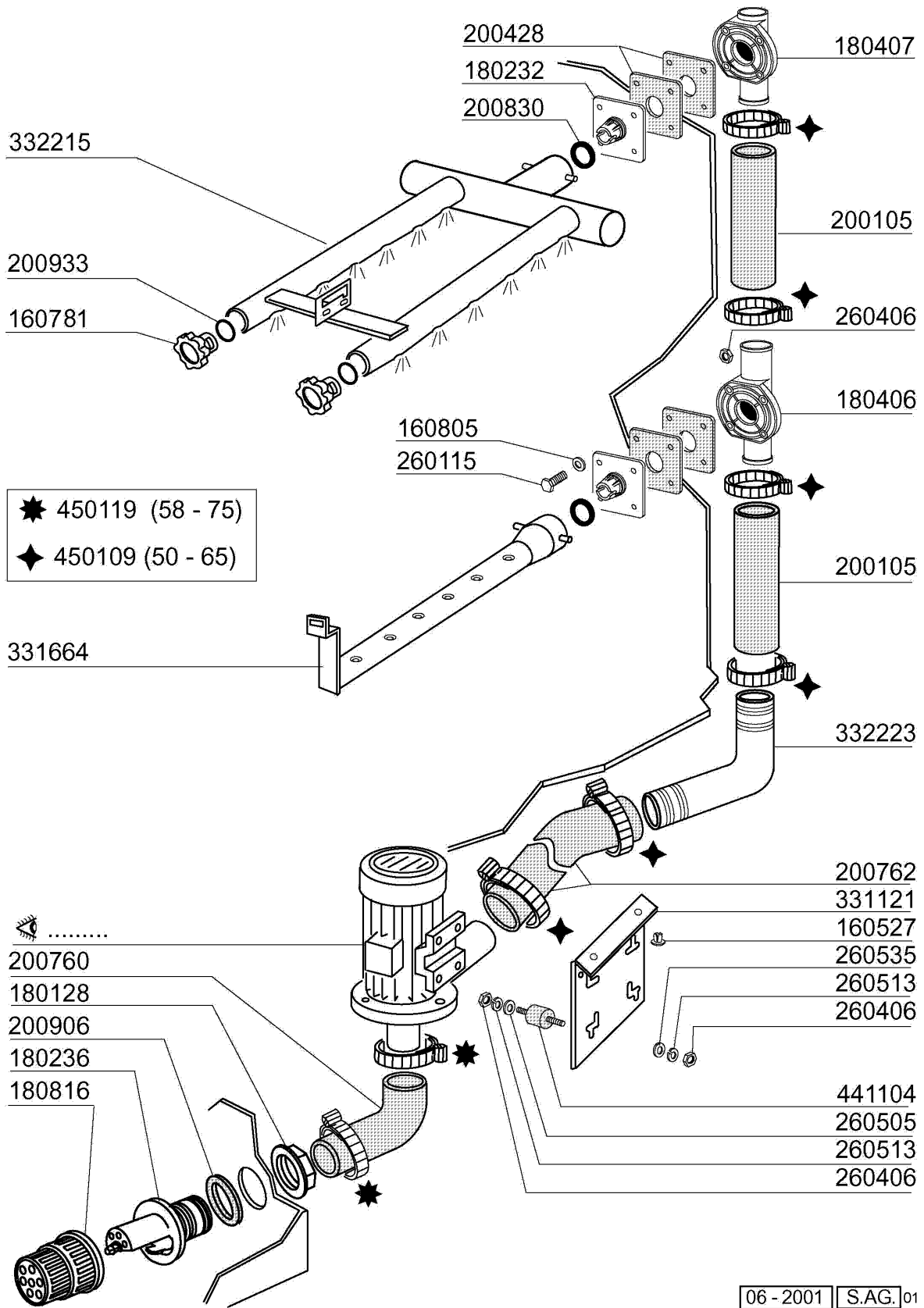
8 - Prewash Assembly 600mm



8 - Prewash Assembly 600mm

CODE	DESCRIPTION
180128	RING NUT 65,4 C140 C85
180236	PUMP SUCTION FOR AC-ACR-C155
180406	T-CONNECTOR F. WASHING S90-SNL
180407	ELBOW S90 S N L
180816	STRAINER OF INLET PUMP AC-ACR
190137	WASH ARM SUPPORT ACR
190623	RESTR.D.14 MOPL.S 3ØS PREWAS/P
200105	RUBBER HOSE 50X60
200329	HOSE
200428	GASKET 100X100X3 NEOTEN
200468	GASKET 70X70X3 NEOTEN NE
200495	GASKET FOR ACR S/S WASH ARM 43
200760	SUCTION HOSE FOR ACR
200762	DELIVERY HOSE ACR
200805	OR GASKET 2,62X28,24X33,48
200906	GASKET D.92X66X2
210406	PLUG FOR ACR WASH ARM
330225	TIE ROD ACR WASH ARM SUPPORT
330937	FLANGE
330940	FLANGE
331568	LOWER CONNECTION
331588	HOSE (332223)
420166	WASH ARM SE/1
441104	VIBRATION-DAMPING FEET FOR ACR
450109	CLAMP 50-65

9 - Prewash Assembly 600mm

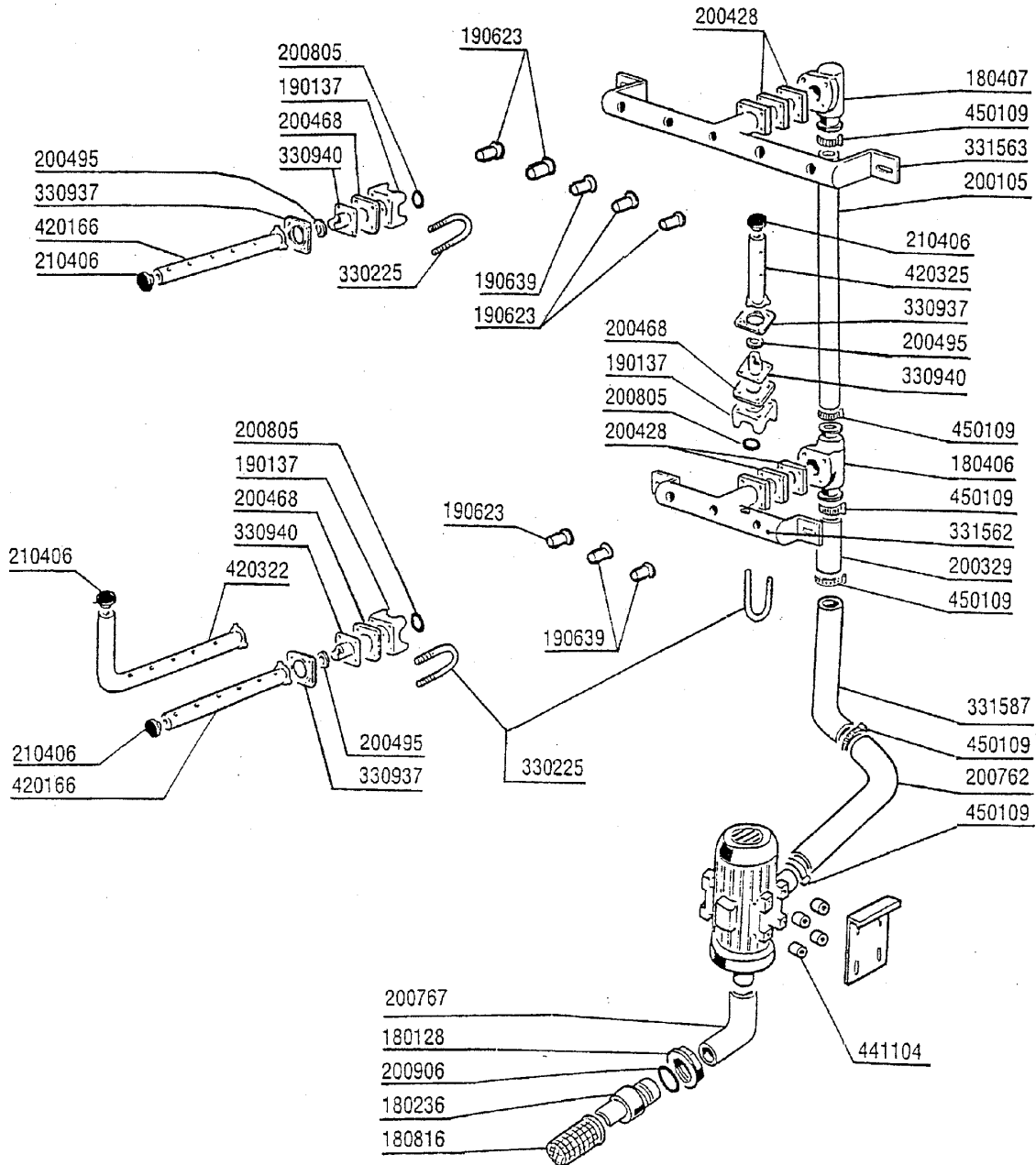


06 - 2001 | S.AG.01

9 - Prewash Assembly 600mm

CODE	DESCRIPTION
160527	PLUG 14,5X2X8
160781	PLUG FOR COLLECTOR NEW AC
160805	GASKET D.8
180128	RING NUT 65,4 C140 C85
180232	WASH ARM FLANGE SNL
180236	PUMP SUCTION FOR AC-ACR-C155
180406	T-CONNECTOR F. WASHING S90-SNL
180407	ELBOW S90 S N L
180816	STRAINER OF INLET PUMP AC-ACR
200105	RUBBER HOSE 50X60
200428	GASKET 100X100X3 NEOTEN
200760	SUCTION HOSE FOR ACR
200762	DELIVERY HOSE ACR
200830	O-RING 37,3X44,5X3,6
200906	GASKET D.92X66X2
200933	OR 24/32/4 FOR PLUG COLLECTOR
260115	STAIN.ST.TE SCREW 8X20 A2 UNI
260406	NUT 8MA
260505	STAINL.STEEL FLAT WASHER D8
260513	GROWER WASHER D8
260535	STAINL.ST WASHER 24X8,5X2
331121	FIXING PLATE FOR PUMP ACR
331664	LOWER PREWASH ARM AC-ACR
332215	PREWASH ARM 600 (332554)
332223	OUTLET HOSE F. PREWASH 600MM A
441104	VIBRATION-DAMPING FEET FOR ACR
450109	CLAMP 50-65
450119	CLAMP FE ZN. 58-75 H=12,2

10 - Wash Assembly 900mm

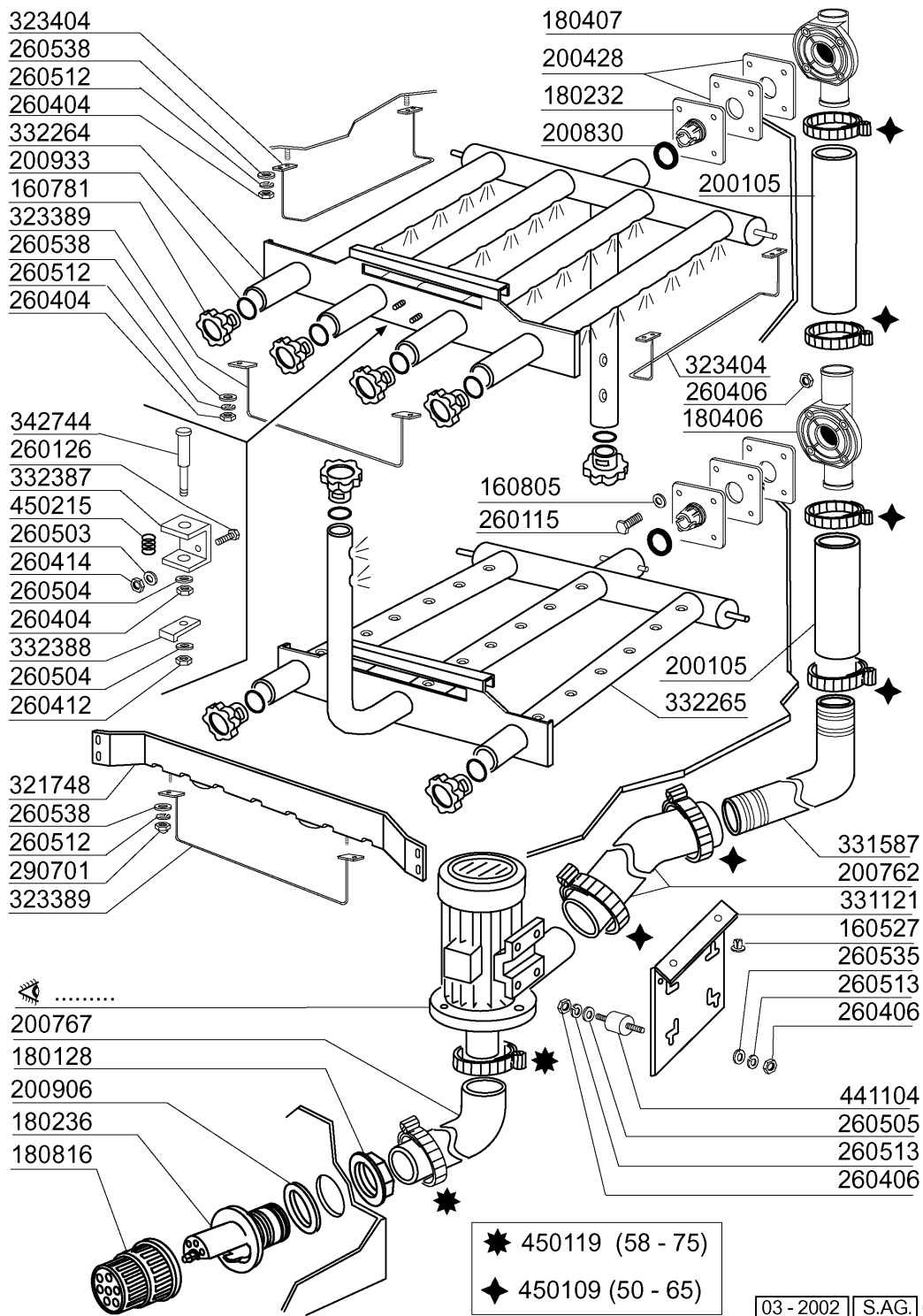


06 - 2001 | S.A.G.

10 - Wash Assembly 900mm

CODE	DESCRIPTION
180128	RING NUT 65,4 C140 C85
180236	PUMP SUCTION FOR AC-ACR-C155
180406	T-CONNECTOR F. WASHING S90-SNL
180407	ELBOW S90 S N L
180816	STRAINER OF INLET PUMP AC-ACR
190137	WASH ARM SUPPORT ACR
190623	RESTR.D.14 MOPL.S 3ØS PREWAS/P
190639	REDUCTION BUSH D.16
200105	RUBBER HOSE 50X60
200329	HOSE
200428	GASKET 100X100X3 NEOTEN
200468	GASKET 70X70X3 NEOTEN NE
200495	GASKET FOR ACR S/S WASH ARM 43
200762	DELIVERY HOSE ACR
200767	OUTLET HOSE WASH ACR
200805	OR GASKET 2,62X28,24X33,48
200906	GASKET D.92X66X2
210406	PLUG FOR ACR WASH ARM
330225	TIE ROD ACR WASH ARM SUPPORT
330937	FLANGE
330940	FLANGE
331562	CONNEC.ELBOW F.LOWER WASH
331563	CONNEC.ELBOW F.UPPER WASH
331587	DELIVERY ELBOW AC-ACR WASH
420166	WASH ARM SE/1
420322	EXTERIOR SIDE WASH ARM ACR MAC
420325	INTERNAL SIDE WASH ARM ACR MAC
441104	VIBRATION-DAMPING FEET FOR ACR
450109	CLAMP 50-65

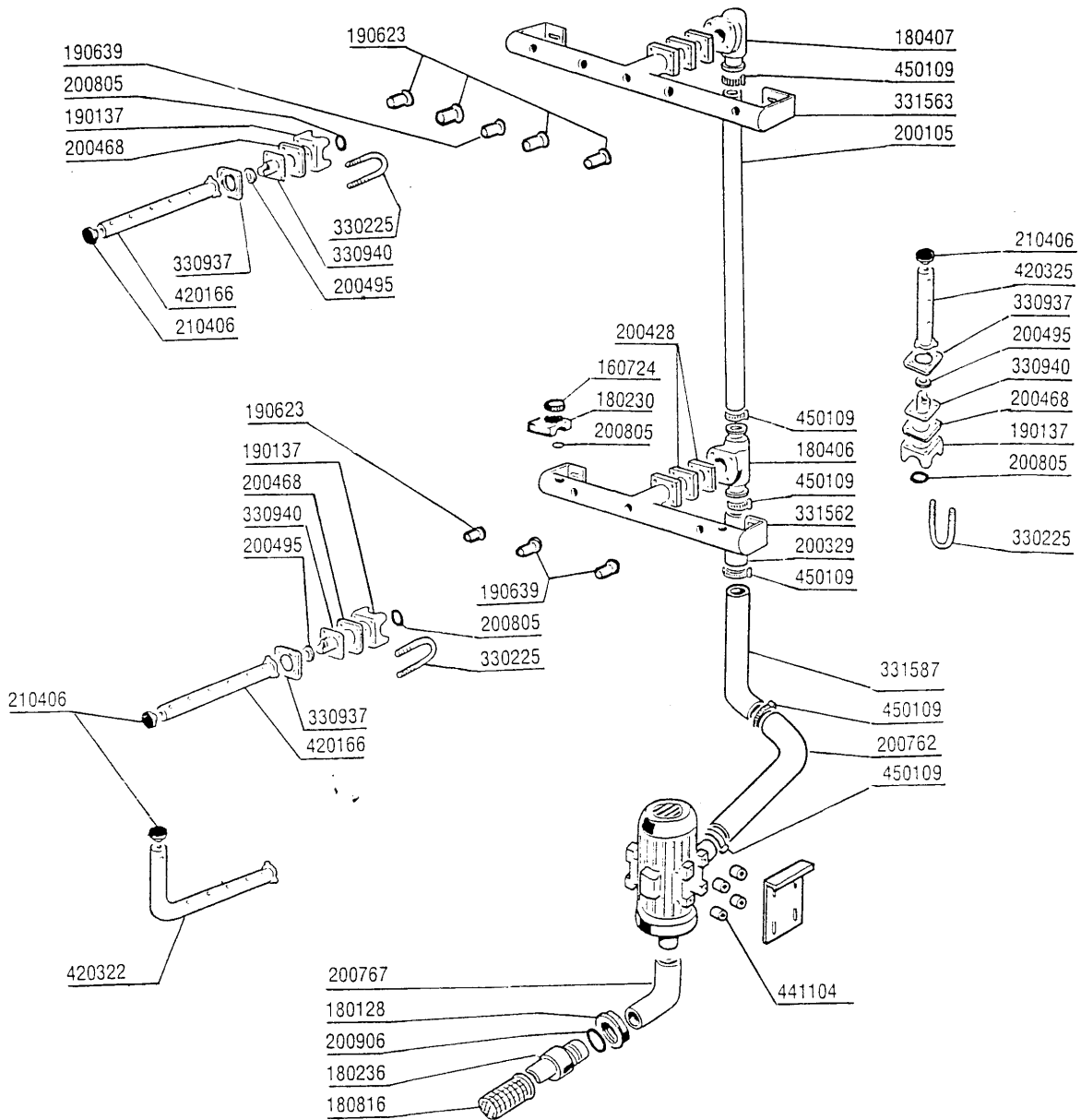
11 - Wash Assembly 900mm



11 - Wash Assembly 900mm

CODE	DESCRIPTION
160527	PLUG 14,5X2X8
160781	PLUG FOR COLLECTOR NEW AC
160805	GASKET D.8
180128	RING NUT 65,4 C140 C85
180232	WASH ARM FLANGE SNL
180236	PUMP SUCTION FOR AC-ACR-C155
180406	T-CONNECTOR F. WASHING S90-SNL
180407	ELBOW S90 S N L
180816	STRAINER OF INLET PUMP AC-ACR
200105	RUBBER HOSE 50X60
200428	GASKET 100X100X3 NEOTEN
200762	DELIVERY HOSE ACR
200767	OUTLET HOSE WASH ACR
200830	O-RING 37,3X44,5X3,6
200906	GASKET D.92X66X2
200933	OR 24/32/4 FOR PLUG COLLECTOR
260115	STAIN.ST.TE SCREW 8X20 A2 UNI
260126	SCREW TE 5X12
260404	STAINLESS STEEL NUTS D6 UNI 55
260406	NUT 8MA
260412	SELF-LOCKING NUT M6
260414	SELF-LOCKING NUT M5
260503	STAINL.STEEL FLAT WASHER D5 UN
260504	ST/ST FLAT WASHER D6
260505	STAINL.STEEL FLAT WASHER D8
260512	ST/ST GROWER WASHER D6
260513	GROWER WASHER D8
260535	STAINL.ST WASHER 24X8,5X2
260538	WASHER 18X6X1,5 ST/ST
290701	HEXAGON BLIND NUTS GM H12
321748	GUIDE
323389	BRACKET
323404	GUIDE
331121	FIXING PLATE FOR PUMP ACR
331587	DELIVERY ELBOW AC-ACR WASH
332264	WASH ARM 900
332265	WASH ARM
332387	BRACKET
332388	BRACKET
342744	PIN
441104	VIBRATION-DAMPING FEET FOR ACR
450109	CLAMP 50-65
450119	CLAMP FE ZN. 58-75 H=12,2
450215	SPRING F.SWITCH ROD R/B41-11-2

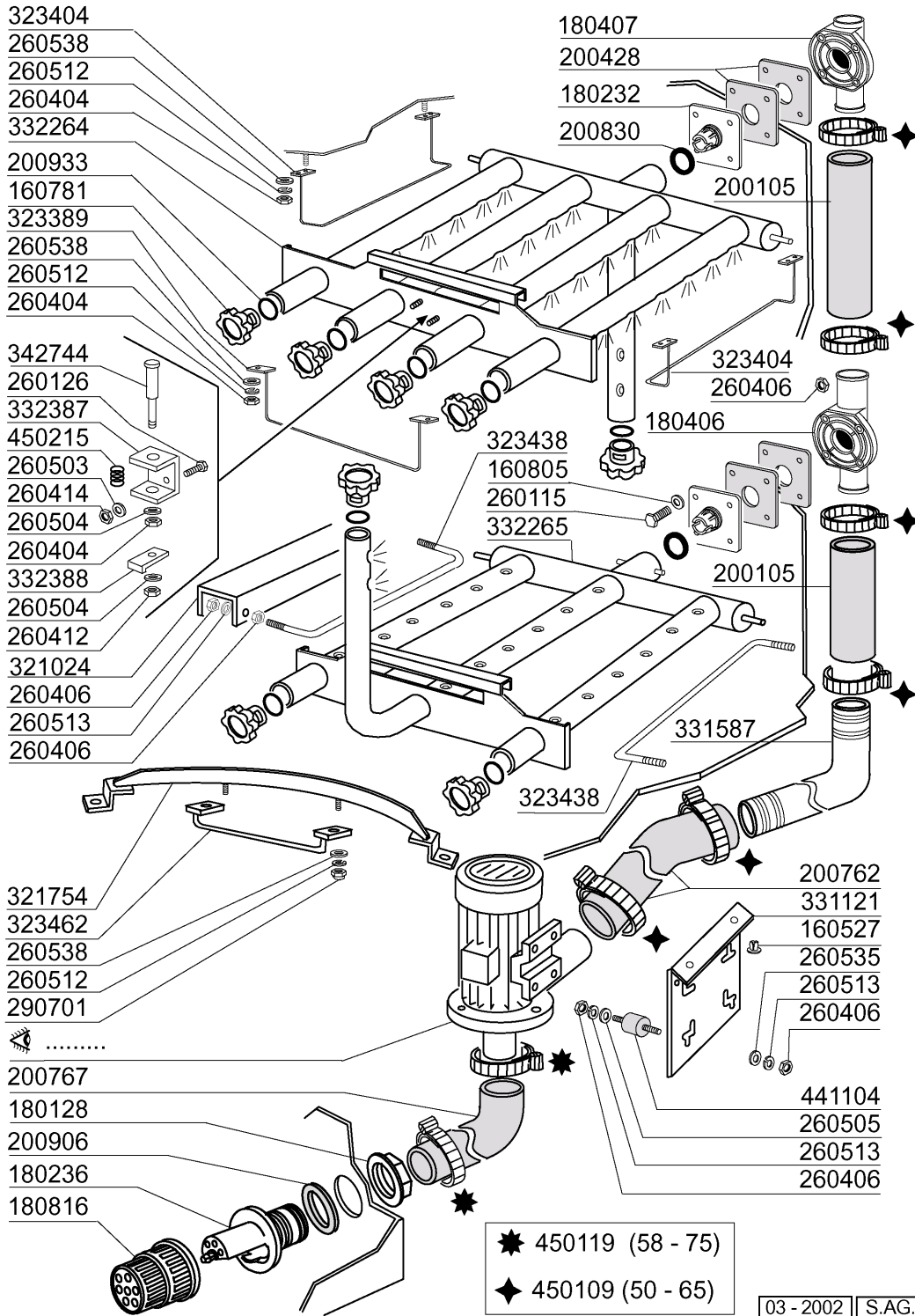
12 - Corner Wash Assembly



12 - Corner Wash Assembly

CODE	DESCRIPTION
160724	PLUG F. WASH ARM S90
180128	RING NUT 65,4 C140 C85
180230	FLANGE F. CLOSING WASH COLUMN
180236	PUMP SUCTION FOR AC-ACR-C155
180406	T-CONNECTOR F. WASHING S90-SNL
180407	ELBOW S90 S N L
180816	STRAINER OF INLET PUMP AC-ACR
190137	WASH ARM SUPPORT ACR
190623	RESTR.D.14 MOPL.S 3ØS PREWAS/P
190639	REDUCTION BUSH D.16
200105	RUBBER HOSE 50X60
200329	HOSE
200428	GASKET 100X100X3 NEOTEN
200468	GASKET 70X70X3 NEOTEN NE
200495	GASKET FOR ACR S/S WASH ARM 43
200762	DELIVERY HOSE ACR
200767	OUTLET HOSE WASH ACR
200805	OR GASKET 2,62X28,24X33,48
200906	GASKET D.92X66X2
210406	PLUG FOR ACR WASH ARM
330225	TIE ROD ACR WASH ARM SUPPORT
330937	FLANGE
330940	FLANGE
331562	CONNEC.ELBOW F.LOWER WASH
331563	CONNEC.ELBOW F.UPPER WASH
331587	DELIVERY ELBOW AC-ACR WASH
420166	WASH ARM SE/1
420322	EXTERIOR SIDE WASH ARM ACR MAC
420325	INTERNAL SIDE WASH ARM ACR MAC
441104	VIBRATION-DAMPING FEET FOR ACR
450109	CLAMP 50-65

13 - Corner Wash Assembly

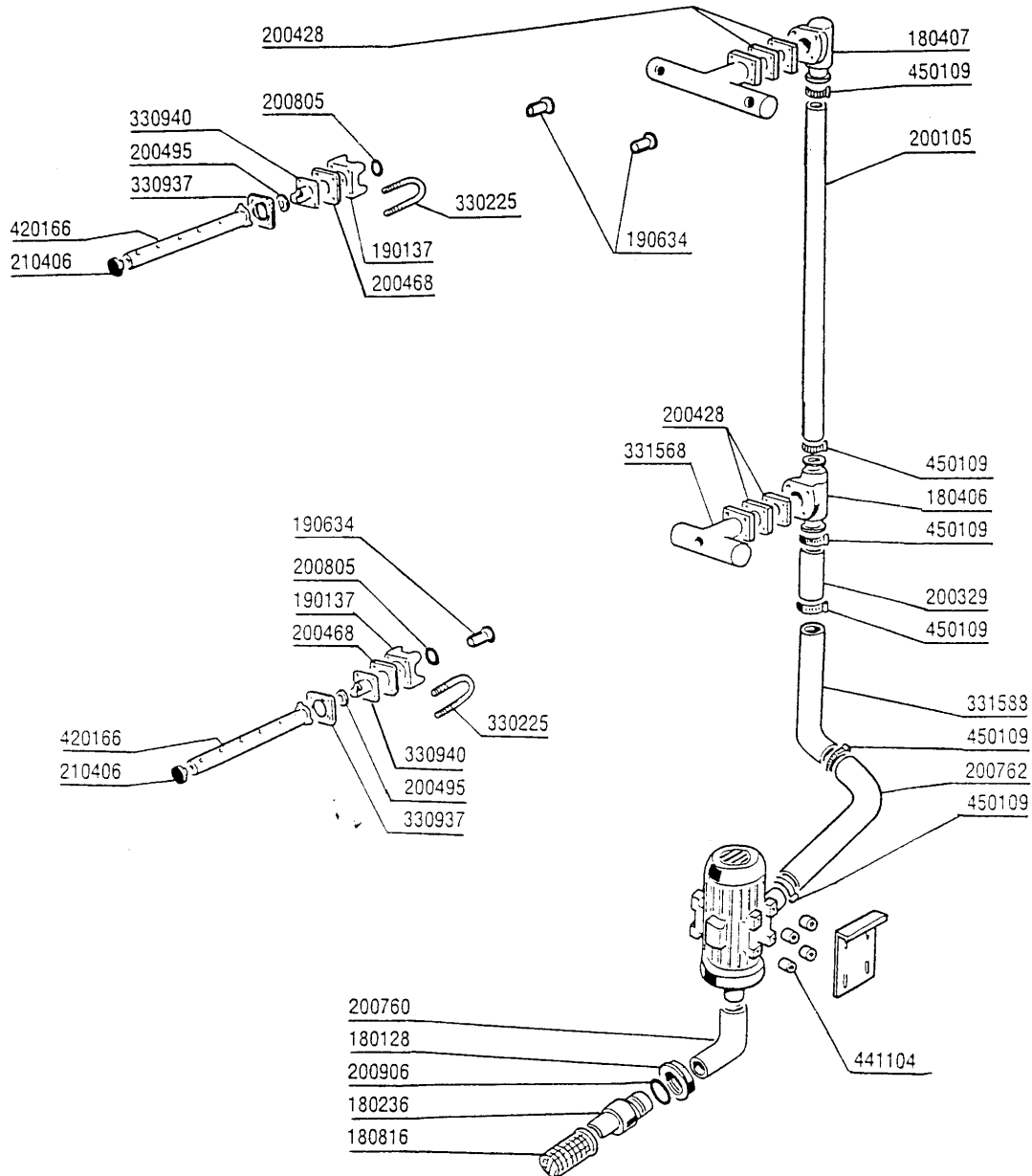


03 - 2002 | S.A.G. | 01

13 - Corner Wash Assembly

CODE	DESCRIPTION
160527	PLUG 14,5X2X8
160781	PLUG FOR COLLECTOR NEW AC
160805	GASKET D.8
180128	RING NUT 65,4 C140 C85
180232	WASH ARM FLANGE SNL
180236	PUMP SUCTION FOR AC-ACR-C155
180406	T-CONNECTOR F. WASHING S90-SNL
180407	ELBOW S90 S N L
180816	STRAINER OF INLET PUMP AC-ACR
200105	RUBBER HOSE 50X60
200428	GASKET 100X100X3 NEOTEN
200762	DELIVERY HOSE ACR
200767	OUTLET HOSE WASH ACR
200830	O-RING 37,3X44,5X3,6
200906	GASKET D.92X66X2
200933	OR 24/32/4 FOR PLUG COLLECTOR
260115	STAIN.ST.TE SCREW 8X20 A2 UNI
260126	SCREW TE 5X12
260404	STAINLESS STEEL NUTS D6 UNI 55
260406	NUT 8MA
260412	SELF-LOCKING NUT M6
260414	SELF-LOCKING NUT M5
260503	STAINL.STEEL FLAT WASHER D5 UN
260504	ST/ST FLAT WASHER D6
260505	STAINL.STEEL FLAT WASHER D8
260512	ST/ST GROWER WASHER D6
260513	GROWER WASHER D8
260535	STAINL.ST WASHER 24X8,5X2
260538	WASHER 18X6X1,5 ST/ST
290701	HEXAGON BLIND NUTS GM H12
321024	SUPPORT
321754	GUIDE
323389	BRACKET
323404	GUIDE
323438	GUIDE
323462	SUPPORT
331121	FIXING PLATE FOR PUMP ACR
331587	DELIVERY ELBOW AC-ACR WASH
332264	WASH ARM 900
332265	WASH ARM
332387	BRACKET
332388	BRACKET
342744	PIN
441104	VIBRATION-DAMPING FEET FOR ACR
450109	CLAMP 50-65
450119	CLAMP FE ZN. 58-75 H=12,2
450215	SPRING F.SWITCH ROD R/B41-11-2

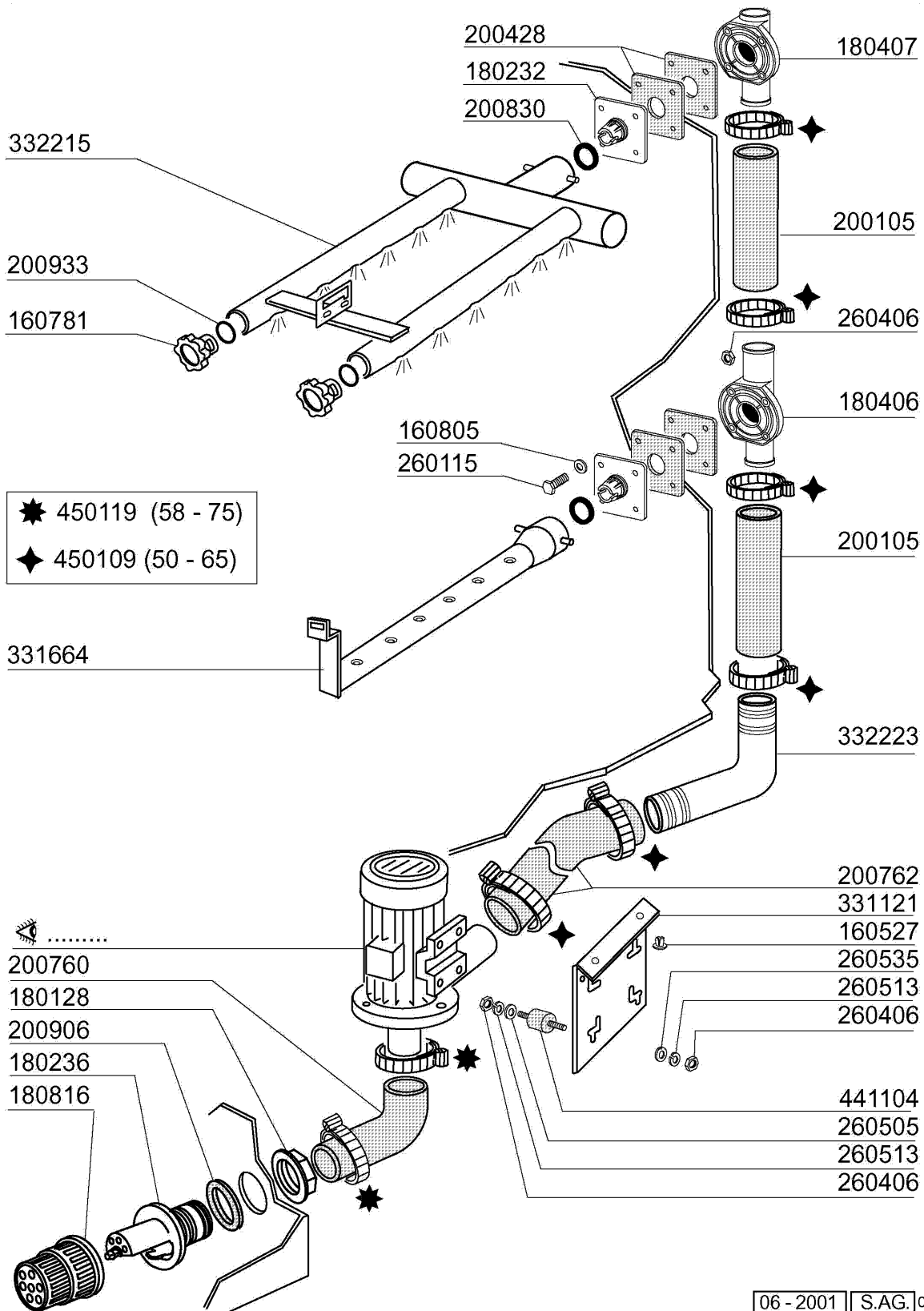
14 - Wash Assembly 600mm



14 - Wash Assembly 600mm

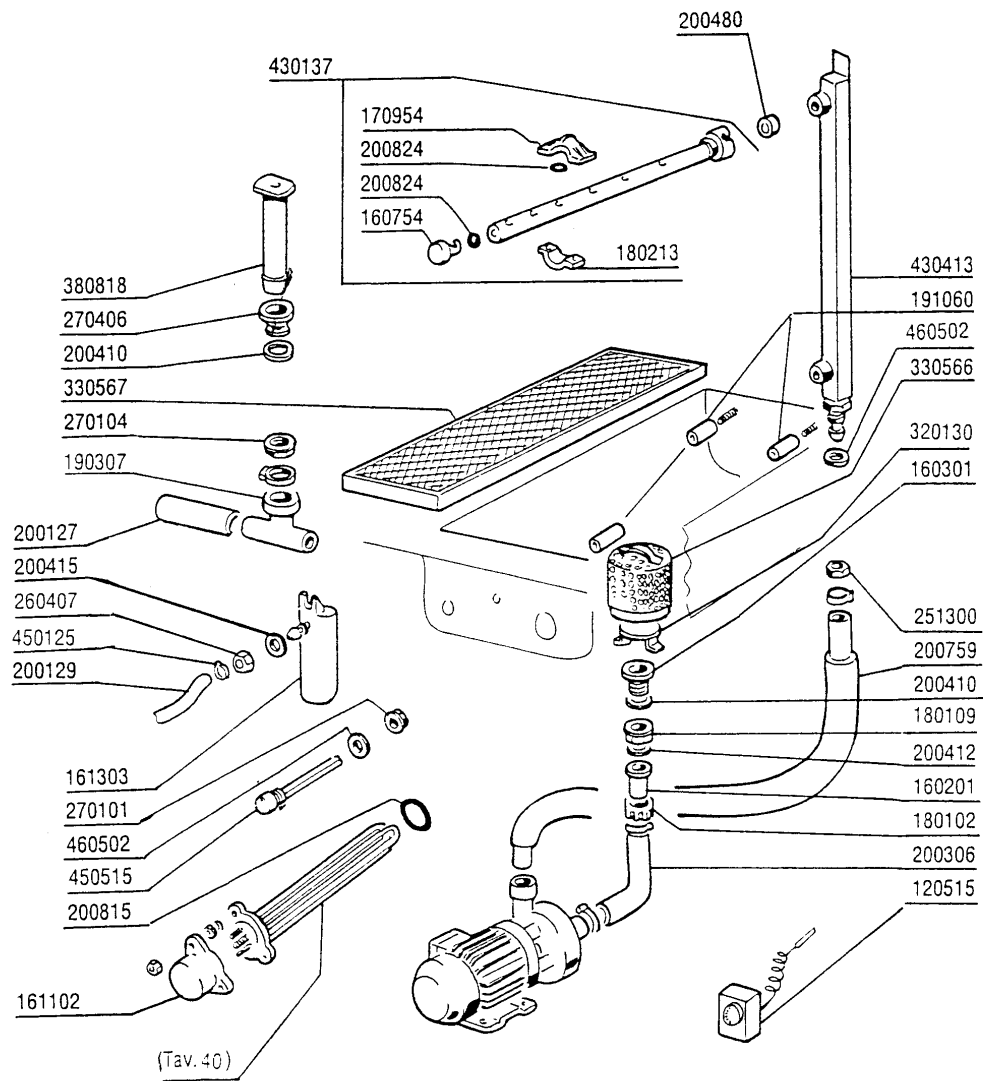
CODE	DESCRIPTION
180128	RING NUT 65,4 C140 C85
180236	PUMP SUCTION FOR AC-ACR-C155
180406	T-CONNECTOR F. WASHING S90-SNL
180407	ELBOW S90 S N L
180816	STRAINER OF INLET PUMP AC-ACR
190137	WASH ARM SUPPORT ACR
190634	BUSH FOR MICRO INSULATION C85-
200105	RUBBER HOSE 50X60
200329	HOSE
200428	GASKET 100X100X3 NEOTEN
200468	GASKET 70X70X3 NEOTEN NE
200495	GASKET FOR ACR S/S WASH ARM 43
200760	SUCTION HOSE FOR ACR
200762	DELIVERY HOSE ACR
200805	OR GASKET 2,62X28,24X33,48
200906	GASKET D.92X66X2
210406	PLUG FOR ACR WASH ARM
330225	TIE ROD ACR WASH ARM SUPPORT
330937	FLANGE
330940	FLANGE
331568	LOWER CONNECTION
331588	HOSE (332223)
420166	WASH ARM SE/1
441104	VIBRATION-DAMPING FEET FOR ACR
450109	CLAMP 50-65

15 - Wash Assembly 600mm



15 - Wash Assembly 600mm

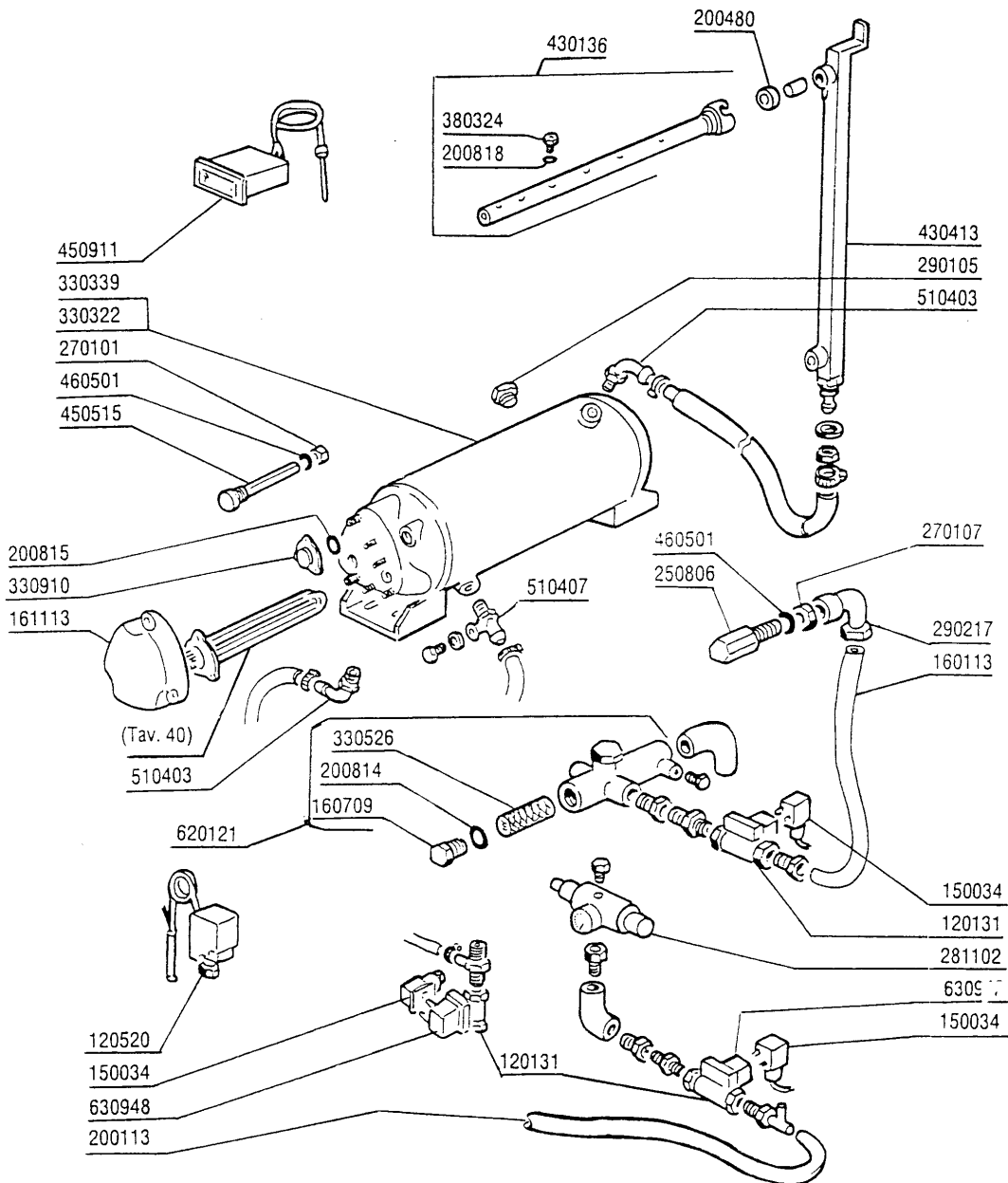
CODE	DESCRIPTION
160527	PLUG 14,5X2X8
160781	PLUG FOR COLLECTOR NEW AC
160805	GASKET D.8
180128	RING NUT 65,4 C140 C85
180232	WASH ARM FLANGE SNL
180236	PUMP SUCTION FOR AC-ACR-C155
180406	T-CONNECTOR F. WASHING S90-SNL
180407	ELBOW S90 S N L
180816	STRAINER OF INLET PUMP AC-ACR
200105	RUBBER HOSE 50X60
200428	GASKET 100X100X3 NEOTEN
200760	SUCTION HOSE FOR ACR
200762	DELIVERY HOSE ACR
200830	O-RING 37,3X44,5X3,6
200906	GASKET D.92X66X2
200933	OR 24/32/4 FOR PLUG COLLECTOR
260115	STAIN.ST.TE SCREW 8X20 A2 UNI
260406	NUT 8MA
260505	STAINL.STEEL FLAT WASHER D8
260513	GROWER WASHER D8
260535	STAINL.ST WASHER 24X8,5X2
331121	FIXING PLATE FOR PUMP ACR
331664	LOWER PREWASH ARM AC-ACR
332215	PREWASH ARM 600 (332554)
332223	OUTLET HOSE F. PREWASH 600MM A
441104	VIBRATION-DAMPING FEET FOR ACR
450109	CLAMP 50-65
450119	CLAMP FE ZN. 58-75 H=12,2



16 - Ecorinse Assembly

CODE	DESCRIPTION
120515	THERMOSTAT 0-90°C
160201	ELBOW F.TANK INLET MOPLN
160301	DRAIN OUTLET 1"1/2 C-S-N
160754	PLUG FOR RINSE ARMS SE NE
161102	ELEMENT COVER MOPL.
161303	AIR TRAP GLASSWASHER
170954	JET FOR ECORINSE ARM
180102	DRAIN PIPE NUT 1"1/2 F45-55
180109	LOCK NUT 1 1/2"
180213	FLANGE F.JET LOCKING F2-C34
190307	SPECIAL TEE GRAU MPL.
191060	HOLDER PIN FOR ECORINSE FILTER
200127	PVC HOSE D.35
200129	HOSE 5X11 FOR PRESSURE SWITCH
200306	INLET HOSE 42X52 ECORINSE-DRAI
200410	DRAIN OUTL.WASH.1 1/2"65X47X2
200412	GASKET DRAIN 11/2" 45X33X3
200415	AIR TRAP GASKET -F2 18,5X10X3
200480	GASKET F. RINSE CONNECT.
200759	DELIVERY HOSE FOR ECORINSE AC-
200815	O-RING F. HEAT.ELEM.
200824	O-RING 1,78X12,42X15,98
251300	S/S LOCK NUT 1/2" AC-ACR
260407	STAINLESS STEEL NUTS D10 UNI 5
270101	HEXAGON LOCK NUT 1/2"
270104	LOCK NUT 1" 1/2
270406	ECORINSE DRAIN OUTLET
320130	VORTEX BREAKER FOR ECORINSE PU
330566	FILTER 110 FOR ECORINSE TANK
330567	STANDARD RINSE FILTER SE
380818	OVERFLOW TUBE FOR ECORINSE SE
430137	ECORINSE ARM SE-SE/1
430413	RINSE COLUMN SE-ACR
450125	ELASTIC CLAMP D. 10,4X9,8
450515	STAINL.ST.SHIELD FOR 1 THERMOS
460502	GASKET 30X21X2

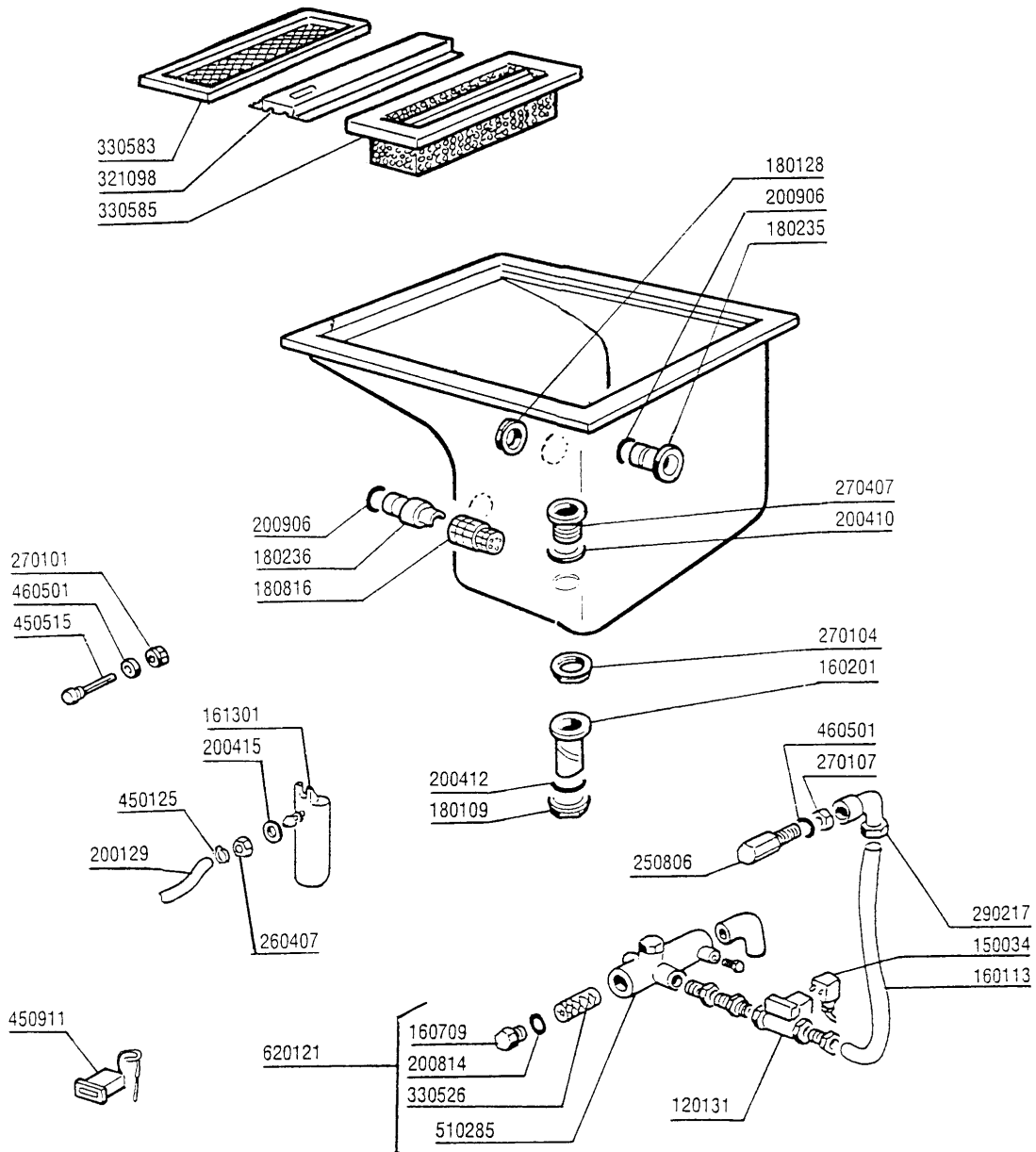
17 - Rinse assembly



17 - Rinse assembly

CODE	DESCRIPTION
120131	SOLEN. L182Q31-ZB10A 1/2"24V
120520	SECURITY THERMOSTAT 110-130Ø
150034	CONNEC.F.SOLEN.VALVE 122.09.N
160113	TUBE IN POL. RETIC. 12 EST
160709	KNOB OF MANIFOLD F. SOLEN. VAL
161113	ELEMENT COVER BLACK
200113	RUBBER HOSE 12 X 22
200480	GASKET F. RINSE CONNECT.
200814	O-RING 34,52X41,58X3,53
200815	O-RING F. HEAT.ELEM.
200818	O-RING 1,78 X 6,75 X 10,31
250806	TANK FILL HOSE CLAMP - AC/ACR
270101	HEXAGON LOCK NUT 1/2"
270107	BRASS LOCK NUT 3/8" FL803
281102	1/2" ADJ VALVE C/W GAUGE TYPE
290105	BRASS-TE-PLUG 1/2"
290217	HOSE CLAMP ELBOW 12X3/8" TYPE
330322	INSULATED BOILER D.230 N/S
330339	BOILER D.220X640 F.TWO HEAT.EL
330526	FILTERS 22X28 SOLENOID V.MANIF
330910	FLANGE
380324	RINSE JETS 52,5 80Ø OV1/8"
430136	RINSE ARM S-SE-SE/1
430413	RINSE COLUMN SE-ACR
450515	STAINL.ST.SHIELD FOR 1 THERMOS
450911	DIGITAL THERMOSTAT MTR10P 24/5
460501	GASKET 24X17X2
510403	CONNECT.HOSE 90Ø1/2"X12
510407	NIPPLE FOR BOILER N S
620121	TWIN SOLENOID VALVE MANIFOLD
630948	COIL Z610A 24V 50/60-L180V01

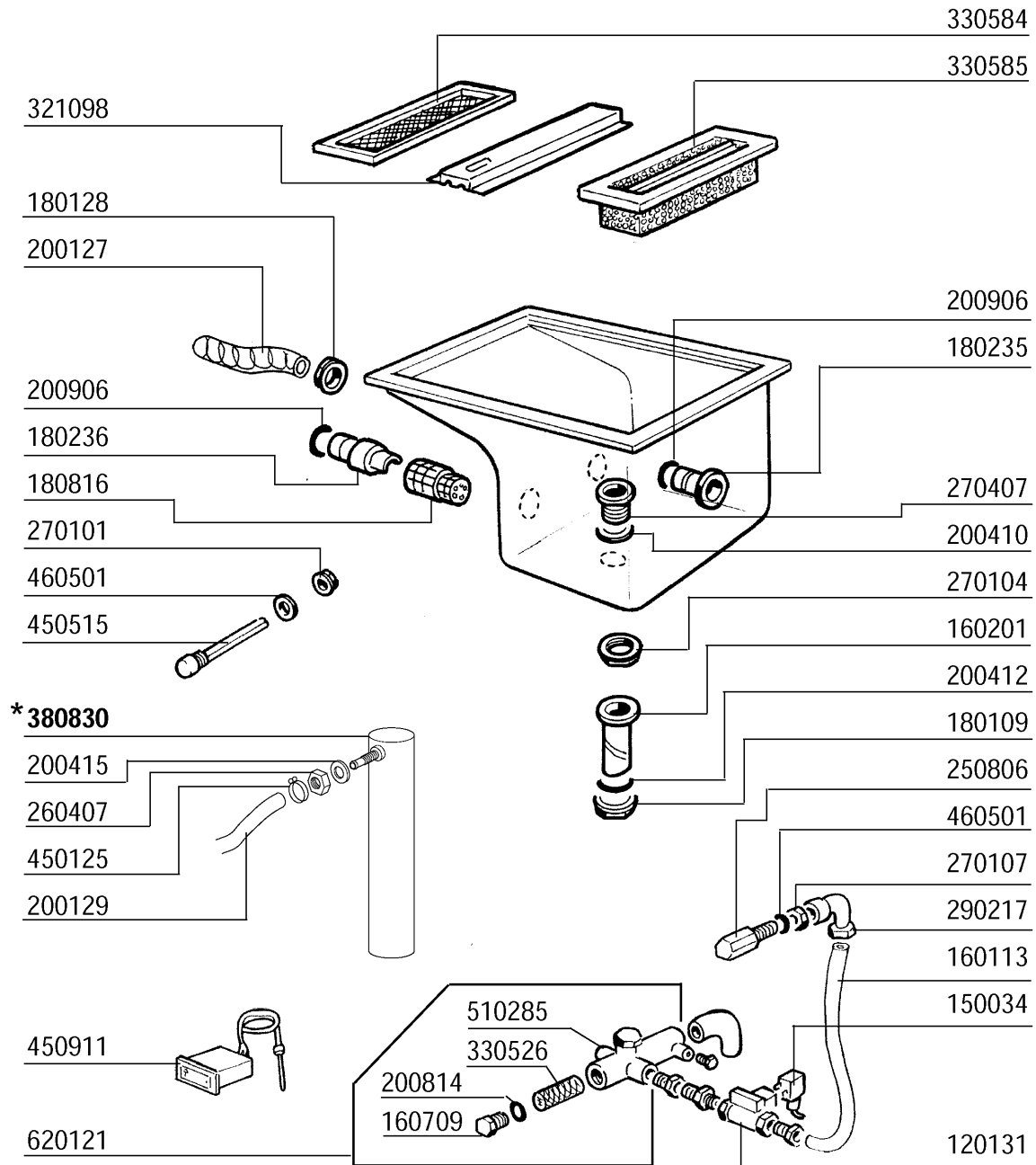
18 - Prewash tank components 600mm



18 - Prewash tank components 600mm

CODE	DESCRIPTION
120131	SOLEN. L182Q31-ZB10A 1/2"24V
150034	CONNEC.F.SOLEN.VALVE 122.09.N
160113	TUBE IN POL. RETIC. 12 EST
160201	ELBOW F.TANK INLET MOPLEN
160709	KNOB OF MANIFOLD F. SOLEN. VAL
161301	AIR TRAP F2 C34-F45
180109	LOCK NUT 1 1/2"
180128	RING NUT 65,4 C140 C85
180235	PUMP SUCTION C85-140
180236	PUMP SUCTION FOR AC-ACR-C155
180816	STRAINER OF INLET PUMP AC-ACR
200129	HOSE 5X11 FOR PRESSURE SWITCH
200410	DRAIN OUTL.WASH.1 1/2"65X47X2
200412	GASKET DRAIN 11/2" 45X33X3
200415	AIR TRAP GASKET -F2 18,5X10X3
200814	O-RING 34,52X41,58X3,53
200906	GASKET D.92X66X2
250806	TANK FILL HOSE CLAMP - AC/ACR
260407	STAINLESS STEEL NUTS D10 UNI 5
270101	HEXAGON LOCK NUT 1/2"
270104	LOCK NUT 1" 1/2
270107	BRASS LOCK NUT 3/8" FL803
270407	TANK DRAIN OUTLET ACR
290217	HOSE CLAMP ELBOW 12X3/8" TYPE
321098	SUPPORT
330526	FILTERS 22X28 SOLENOID V.MANIF
330583	PREWASH FILTER AC/ACR
330585	PREWASH DRAWER FILTER AC-ACR
450125	ELASTIC CLAMP D. 10,4X9,8
450515	STAINL.ST.SHIELD FOR 1 THERMOS
450911	DIGITAL THERMOSTAT MTR10P 24/5
460501	GASKET 24X17X2
510285	SOLENOID VALVE MANIFOLD - BRAS
620121	TWIN SOLENOID VALVE MANIFOLD

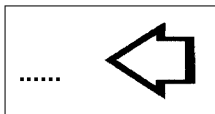
19 - Prewash tank components 600mm



1 - 4 - 95 01

* Dalla matricola:
 * A partir da la matr.
 * From serial no.
 * Ab Seriennr.
 * Despues la matr.

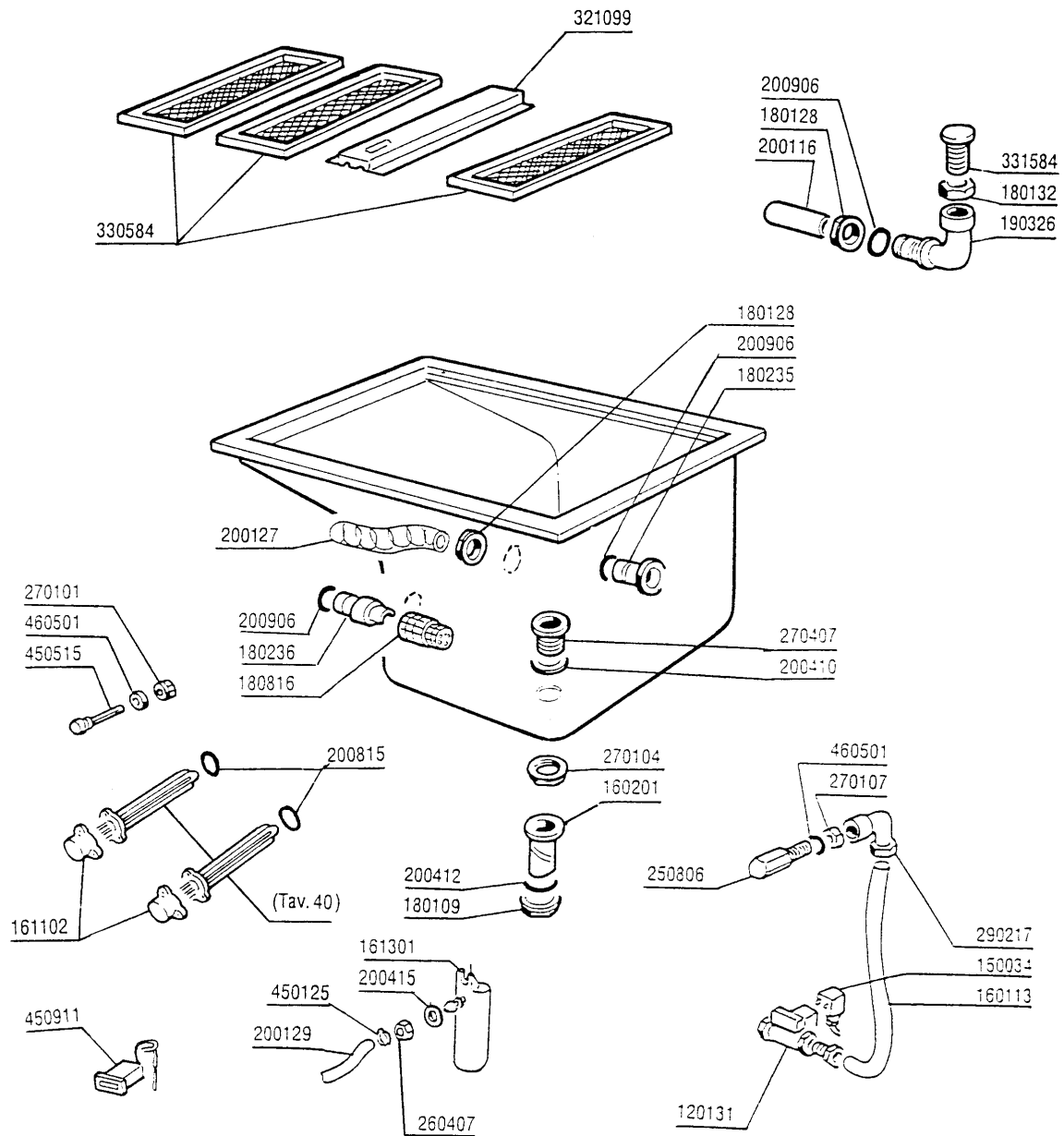
94865/94



19 - Prewash tank components 600mm

CODE	DESCRIPTION
120131	SOLEN. L182Q31-ZB10A 1/2"24V
150034	CONNEC.F.SOLEN.VALVE 122.09.N
160113	TUBE IN POL. RETIC. 12 EST
160201	ELBOW F.TANK INLET MOPLN
160709	KNOB OF MANIFOLD F. SOLEN. VAL
180109	LOCK NUT 1 1/2"
180128	RING NUT 65,4 C140 C85
180235	PUMP SUCTION C85-140
180236	PUMP SUCTION FOR AC-ACR-C155
180816	STRAINER OF INLET PUMP AC-ACR
200127	PVC HOSE D.35
200129	HOSE 5X11 FOR PRESSURE SWITCH
200410	DRAIN OUTL.WASH.1 1/2"65X47X2
200412	GASKET DRAIN 11/2" 45X33X3
200415	AIR TRAP GASKET -F2 18,5X10X3
200814	O-RING 34,52X41,58X3,53
200906	GASKET D.92X66X2
250806	TANK FILL HOSE CLAMP - AC/ACR
260407	STAINLESS STEEL NUTS D10 UNI 5
270101	HEXAGON LOCK NUT 1/2"
270104	LOCK NUT 1" 1/2
270107	BRASS LOCK NUT 3/8" FL803
270407	TANK DRAIN OUTLET ACR
290217	HOSE CLAMP ELBOW 12X3/8" TYPE
321098	SUPPORT
330526	FILTERS 22X28 SOLENOID V.MANIF
330584	WASH FILTER ACR
330585	PREWASH DRAWER FILTER AC-ACR
380830	AIR TRAP ST/ST FOR AC-ACR-GMC
450125	ELASTIC CLAMP D. 10,4X9,8
450515	STAINL.ST.SHIELD FOR 1 THERMOS
450911	DIGITAL THERMOSTAT MTR10P 24/5
460501	GASKET 24X17X2
510285	SOLENOID VALVE MANIFOLD - BRAS
620121	TWIN SOLENOID VALVE MANIFOLD

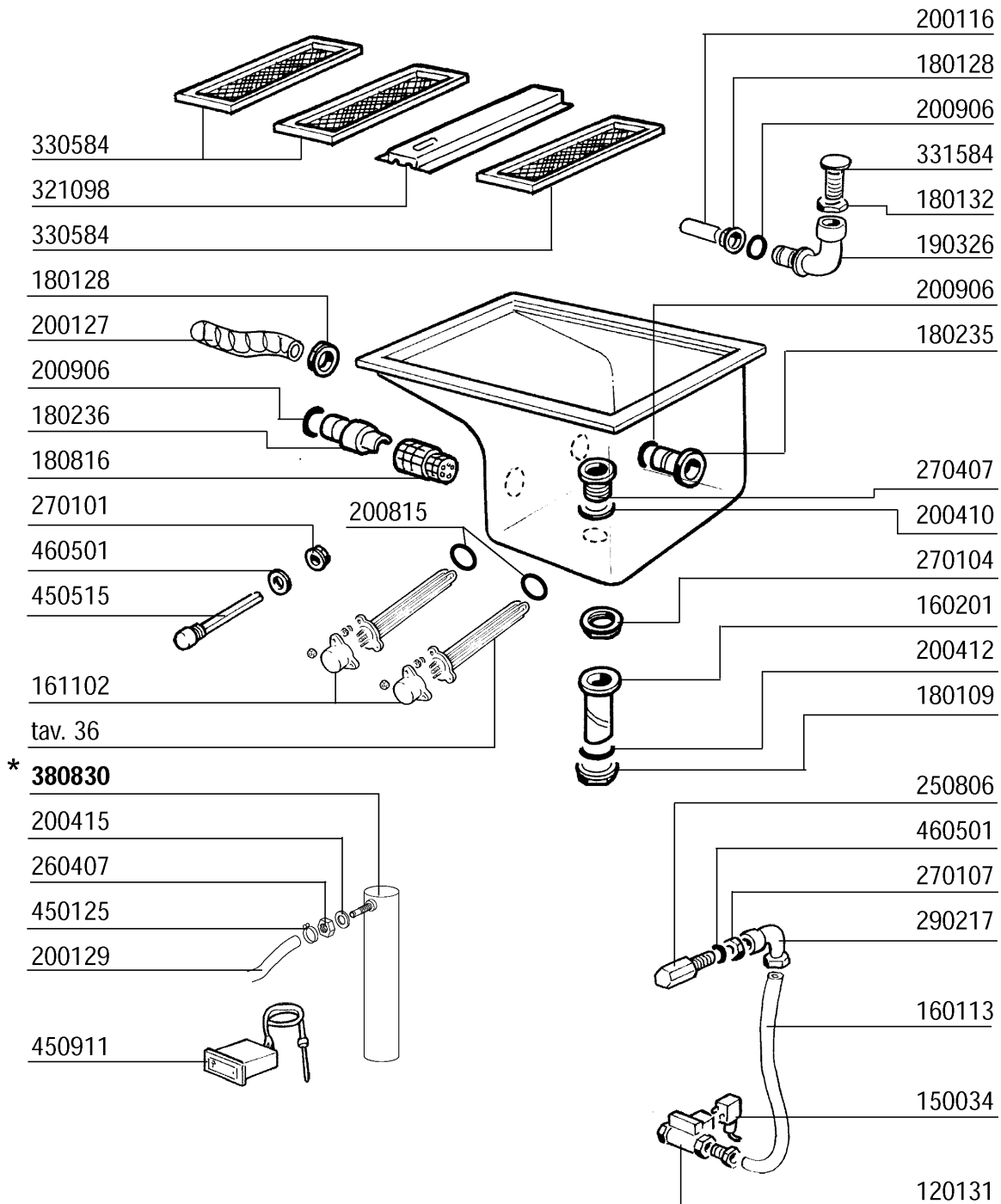
20 - Wash Tank Components 900mm



20 - Wash Tank Components 900mm

CODE	DESCRIPTION
120131	SOLEN. L182Q31-ZB10A 1/2"24V
150034	CONNEC.F.SOLEN.VALVE 122.09.N
160113	TUBE IN POL. RETIC. 12 EST
160201	ELBOW F.TANK INLET MOPLN
161102	ELEMENT COVER MOPL.
161301	AIR TRAP F2 C34-F45
180109	LOCK NUT 1 1/2"
180128	RING NUT 65,4 C140 C85
180132	LOCK NUT 2" FOR OVERFLOW AC-AC
180235	PUMP SUCTION C85-140
180236	PUMP SUCTION FOR AC-ACR-C155
180816	STRAINER OF INLET PUMP AC-ACR
190326	ELBOW FOR OVERFLOW AC-ACR
200116	RUBBER HOSE 60X70
200127	PVC HOSE D.35
200129	HOSE 5X11 FOR PRESSURE SWITCH
200410	DRAIN OUTL.WASH.1 1/2"65X47X2
200412	GASKET DRAIN 1 1/2" 45X33X3
200415	AIR TRAP GASKET -F2 18,5X10X3
200815	O-RING F. HEAT.ELEM.
200906	GASKET D.92X66X2
250806	TANK FILL HOSE CLAMP - AC/ACR
260407	STAINLESS STEEL NUTS D10 UNI 5
270101	HEXAGON LOCK NUT 1/2"
270104	LOCK NUT 1" 1/2
270107	BRASS LOCK NUT 3/8" FL803
270407	TANK DRAIN OUTLET ACR
290217	HOSE CLAMP ELBOW 12X3/8" TYPE
321099	SUPPORT
330584	WASH FILTER ACR
331584	ELBOW FOR AC-ACR OVERFLOW
450125	ELASTIC CLAMP D. 10,4X9,8
450515	STAINL.ST.SHIELD FOR 1 THERMOS
450911	DIGITAL THERMOSTAT MTR10P 24/5
460501	GASKET 24X17X2

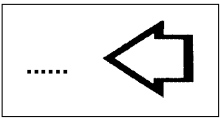
21 - Wash Tank Components 900mm



01 - 2002 S. AG.

* Dalla matricola:
* A partir da la matr.
* From serial no.
* Ab Seriennr.
* Despues la matr.

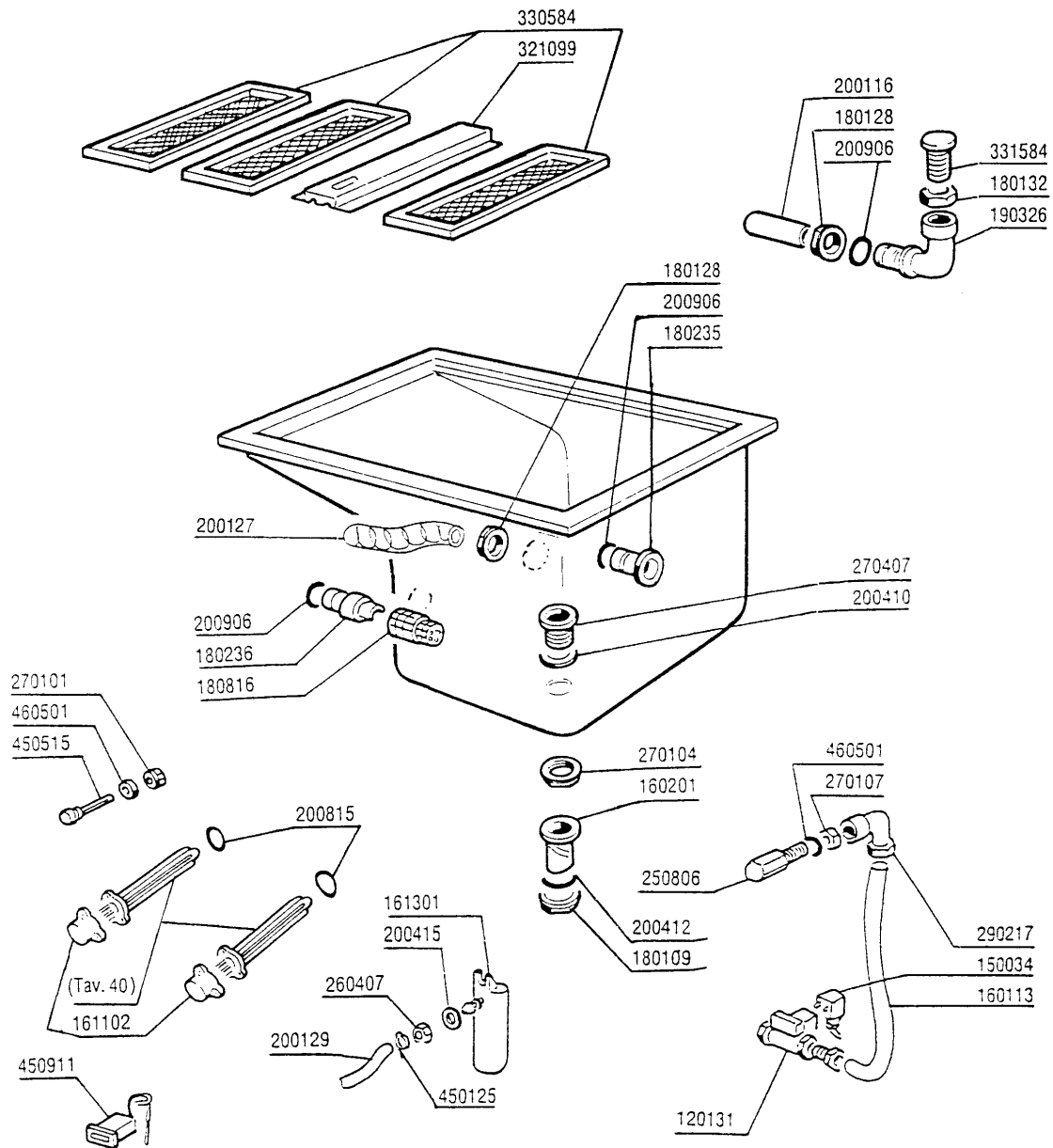
94865/94



21 - Wash Tank Components 900mm

CODE	DESCRIPTION
120131	SOLEN. L182Q31-ZB10A 1/2"24V
150034	CONNEX.F.SOLEN.VALVE 122.09.N
160113	TUBE IN POL. RETIC. 12 EST
160201	ELBOW F.TANK INLET MOPLN
161102	ELEMENT COVER MOPL.
180109	LOCK NUT 1 1/2"
180128	RING NUT 65,4 C140 C85
180132	LOCK NUT 2" FOR OVERFLOW AC-AC
180235	PUMP SUCTION C85-140
180236	PUMP SUCTION FOR AC-ACR-C155
180816	STRAINER OF INLET PUMP AC-ACR
190326	ELBOW FOR OVERFLOW AC-ACR
200116	RUBBER HOSE 60X70
200127	PVC HOSE D.35
200129	HOSE 5X11 FOR PRESSURE SWITCH
200410	DRAIN OUTL.WASH.1 1/2"65X47X2
200412	GASKET DRAIN 1 1/2" 45X33X3
200415	AIR TRAP GASKET -F2 18,5X10X3
200815	O-RING F. HEAT.ELEM.
200906	GASKET D.92X66X2
250806	TANK FILL HOSE CLAMP - AC/ACR
260407	STAINLESS STEEL NUTS D10 UNI 5
270101	HEXAGON LOCK NUT 1/2"
270104	LOCK NUT 1" 1/2
270107	BRASS LOCK NUT 3/8" FL803
270407	TANK DRAIN OUTLET ACR
290217	HOSE CLAMP ELBOW 12X3/8" TYPE
321098	SUPPORT
330584	WASH FILTER ACR
331584	ELBOW FOR AC-ACR OVERFLOW
380830	AIR TRAP ST/ST FOR AC-ACR-GMC
450125	ELASTIC CLAMP D. 10,4X9,8
450515	STAINL.ST.SHIELD FOR 1 THERMOS
450911	DIGITAL THERMOSTAT MTR10P 24/5
460501	GASKET 24X17X2

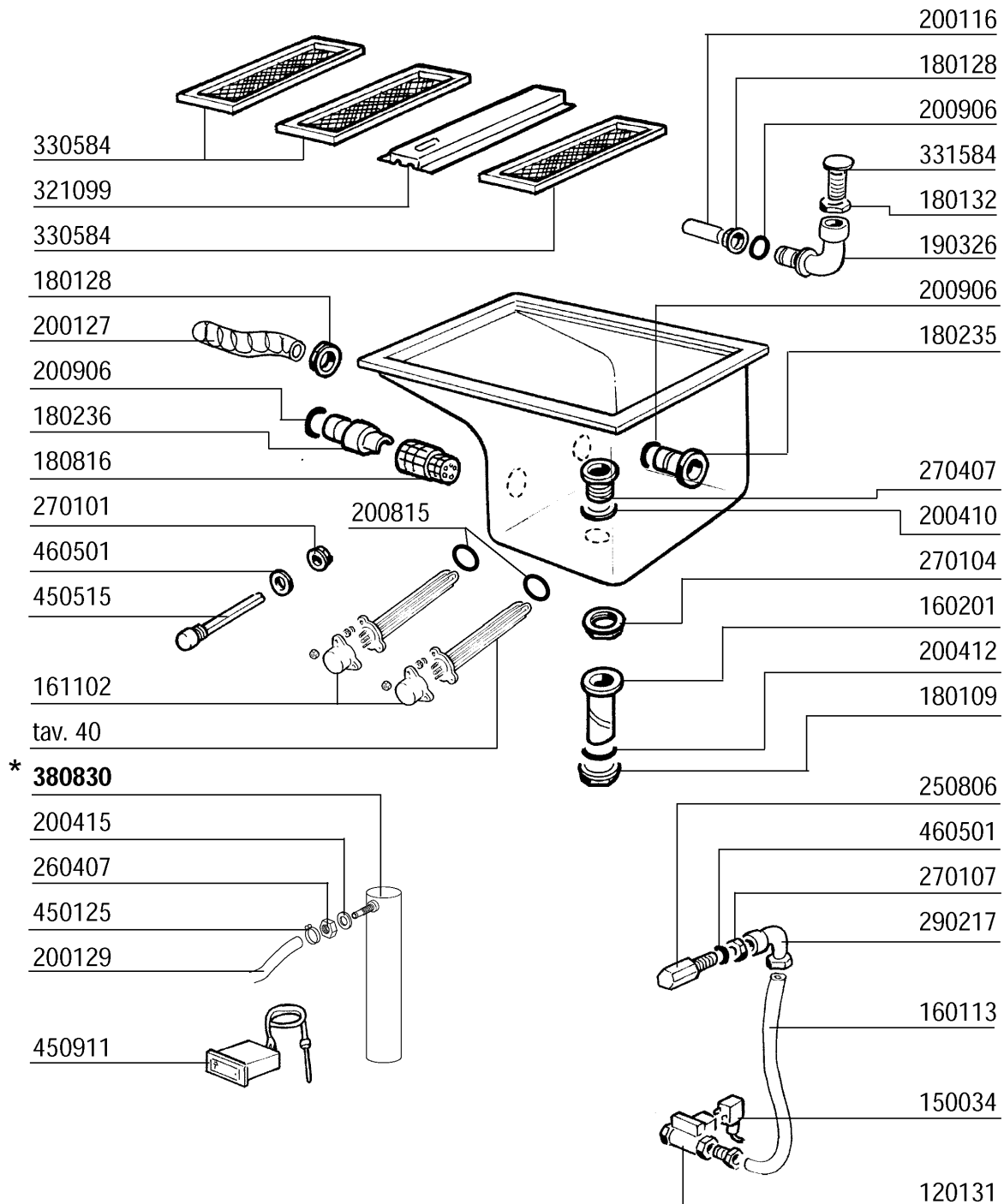
22 - Corner Wash Tank Components



22 - Corner Wash Tank Components

CODE	DESCRIPTION
120131	SOLEN. L182Q31-ZB10A 1/2"24V
150034	CONNEC.F.SOLEN.VALVE 122.09.N
160113	TUBE IN POL. RETIC. 12 EST
160201	ELBOW F.TANK INLET MOPLN
161102	ELEMENT COVER MOPL.
161301	AIR TRAP F2 C34-F45
180109	LOCK NUT 1 1/2"
180128	RING NUT 65,4 C140 C85
180132	LOCK NUT 2" FOR OVERFLOW AC-AC
180235	PUMP SUCTION C85-140
180236	PUMP SUCTION FOR AC-ACR-C155
180816	STRAINER OF INLET PUMP AC-ACR
190326	ELBOW FOR OVERFLOW AC-ACR
200116	RUBBER HOSE 60X70
200127	PVC HOSE D.35
200129	HOSE 5X11 FOR PRESSURE SWITCH
200410	DRAIN OUTL.WASH.1 1/2"65X47X2
200412	GASKET DRAIN 1 1/2" 45X33X3
200415	AIR TRAP GASKET -F2 18,5X10X3
200815	O-RING F. HEAT.ELEM.
200906	GASKET D.92X66X2
250806	TANK FILL HOSE CLAMP - AC/ACR
260407	STAINLESS STEEL NUTS D10 UNI 5
270101	HEXAGON LOCK NUT 1/2"
270104	LOCK NUT 1" 1/2
270107	BRASS LOCK NUT 3/8" FL803
270407	TANK DRAIN OUTLET ACR
290217	HOSE CLAMP ELBOW 12X3/8" TYPE
321099	SUPPORT
330584	WASH FILTER ACR
331584	ELBOW FOR AC-ACR OVERFLOW
450125	ELASTIC CLAMP D. 10,4X9,8
450515	STAINL.ST.SHIELD FOR 1 THERMOS
450911	DIGITAL THERMOSTAT MTR10P 24/5
460501	GASKET 24X17X2

23 - Corner Wash Tank Components



01 - 2002 S. AG.

* Dalla matricola:
* A partir da la matr.
* From serial no.
* Ab Seriennr.
* Despues la matr.

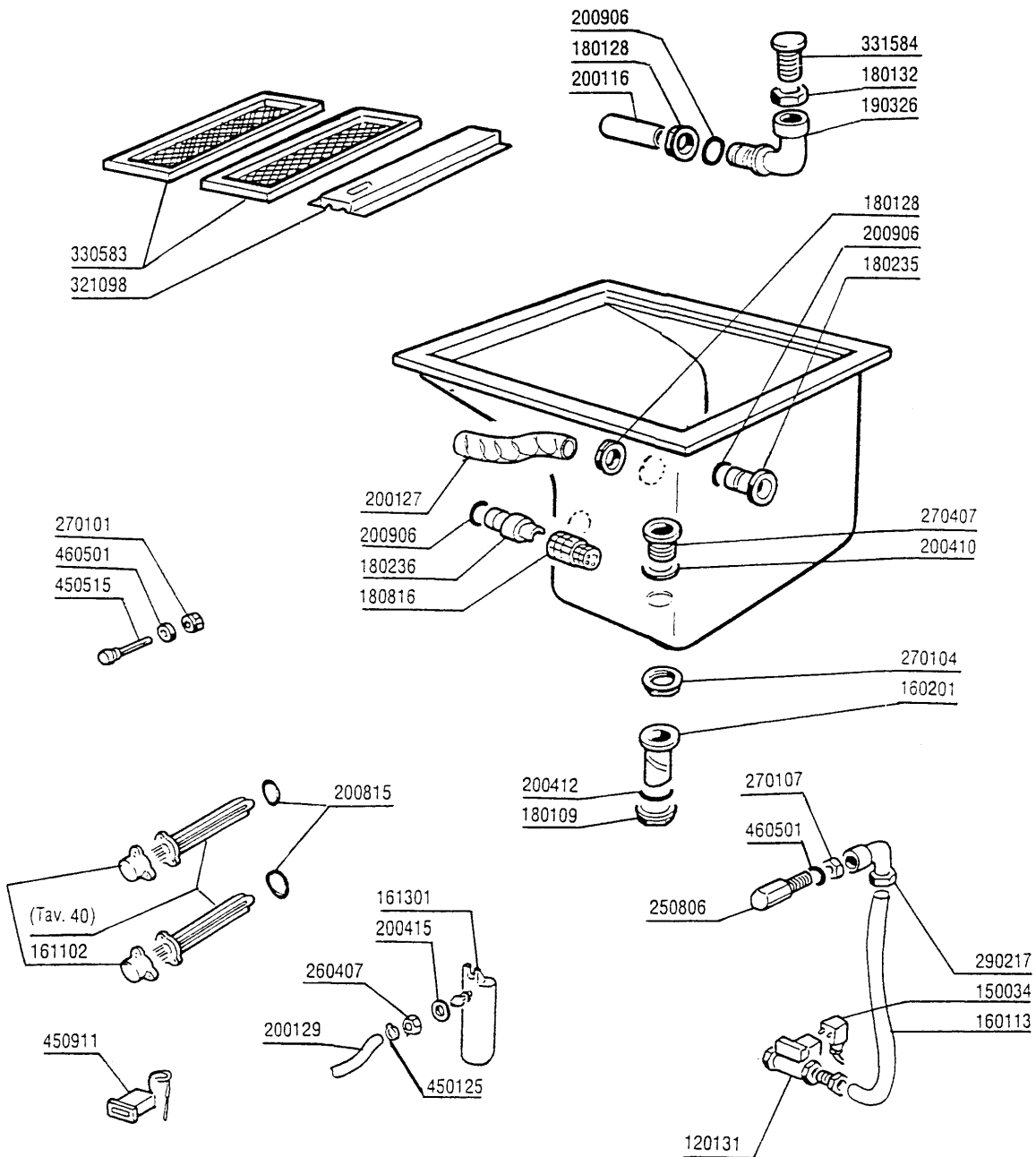
94865/94

18

23 - Corner Wash Tank Components

CODE	DESCRIPTION
120131	SOLEN. L182Q31-ZB10A 1/2"24V
150034	CONNEC.F.SOLEN.VALVE 122.09.N
160113	TUBE IN POL. RETIC. 12 EST
160201	ELBOW F.TANK INLET MOPLN
161102	ELEMENT COVER MOPL.
180109	LOCK NUT 1 1/2"
180128	RING NUT 65,4 C140 C85
180132	LOCK NUT 2" FOR OVERFLOW AC-AC
180235	PUMP SUCTION C85-140
180236	PUMP SUCTION FOR AC-ACR-C155
180816	STRAINER OF INLET PUMP AC-ACR
190326	ELBOW FOR OVERFLOW AC-ACR
200116	RUBBER HOSE 60X70
200127	PVC HOSE D.35
200129	HOSE 5X11 FOR PRESSURE SWITCH
200410	DRAIN OUTL.WASH.1 1/2"65X47X2
200412	GASKET DRAIN 1 1/2" 45X33X3
200415	AIR TRAP GASKET -F2 18,5X10X3
200815	O-RING F. HEAT.ELEM.
200906	GASKET D.92X66X2
250806	TANK FILL HOSE CLAMP - AC/ACR
260407	STAINLESS STEEL NUTS D10 UNI 5
270101	HEXAGON LOCK NUT 1/2"
270104	LOCK NUT 1" 1/2
270107	BRASS LOCK NUT 3/8" FL803
270407	TANK DRAIN OUTLET ACR
290217	HOSE CLAMP ELBOW 12X3/8" TYPE
321099	SUPPORT
330584	WASH FILTER ACR
331584	ELBOW FOR AC-ACR OVERFLOW
380830	AIR TRAP ST/ST FOR AC-ACR-GMC
450125	ELASTIC CLAMP D. 10,4X9,8
450515	STAINL.ST.SHIELD FOR 1 THERMOS
450911	DIGITAL THERMOSTAT MTR10P 24/5
460501	GASKET 24X17X2

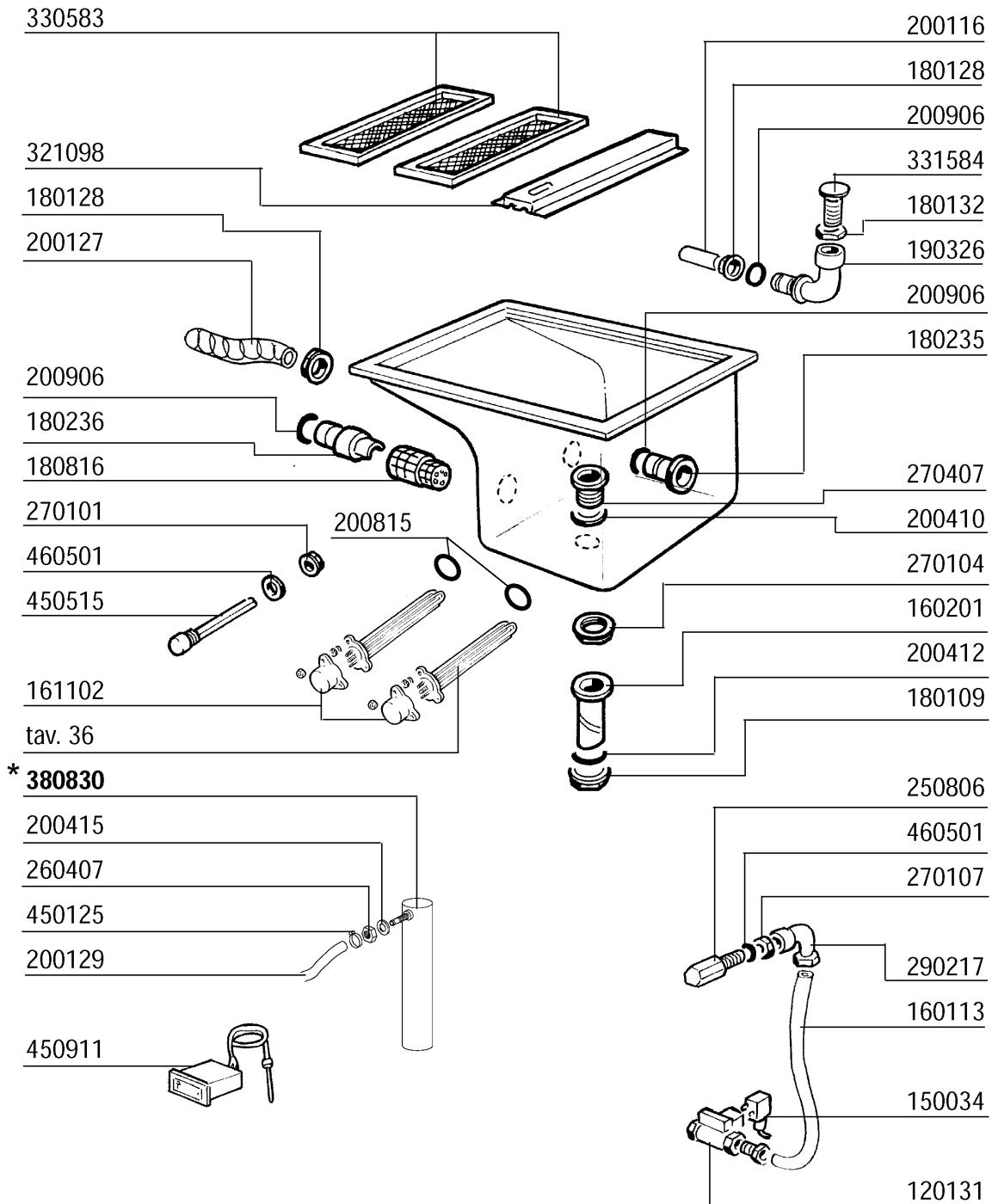
24 - Wash Tank Components 600mm



24 - Wash Tank Components 600mm

CODE	DESCRIPTION
120131	SOLEN. L182Q31-ZB10A 1/2"24V
150034	CONNEC.F.SOLEN.VALVE 122.09.N
160113	TUBE IN POL. RETIC. 12 EST
160201	ELBOW F.TANK INLET MOPLN
161102	ELEMENT COVER MOPL.
161301	AIR TRAP F2 C34-F45
180109	LOCK NUT 1 1/2"
180128	RING NUT 65,4 C140 C85
180132	LOCK NUT 2" FOR OVERFLOW AC-AC
180235	PUMP SUCTION C85-140
180236	PUMP SUCTION FOR AC-ACR-C155
180816	STRAINER OF INLET PUMP AC-ACR
190326	ELBOW FOR OVERFLOW AC-ACR
200116	RUBBER HOSE 60X70
200127	PVC HOSE D.35
200129	HOSE 5X11 FOR PRESSURE SWITCH
200410	DRAIN OUTL.WASH.1 1/2"65X47X2
200412	GASKET DRAIN 1 1/2" 45X33X3
200415	AIR TRAP GASKET -F2 18,5X10X3
200815	O-RING F. HEAT.ELEM.
200906	GASKET D.92X66X2
250806	TANK FILL HOSE CLAMP - AC/ACR
260407	STAINLESS STEEL NUTS D10 UNI 5
270101	HEXAGON LOCK NUT 1/2"
270104	LOCK NUT 1" 1/2
270107	BRASS LOCK NUT 3/8" FL803
270407	TANK DRAIN OUTLET ACR
290217	HOSE CLAMP ELBOW 12X3/8" TYPE
321098	SUPPORT
330583	PREWASH FILTER AC/ACR
331584	ELBOW FOR AC-ACR OVERFLOW
450125	ELASTIC CLAMP D. 10,4X9,8
450515	STAINL.ST.SHIELD FOR 1 THERMOS
450911	DIGITAL THERMOSTAT MTR10P 24/5
460501	GASKET 24X17X2

25 - Wash Tank Components 600mm



* **380830**

200415

260407

450125

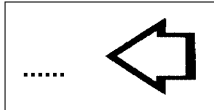
200129

450911

01 - 2002 S. AG.

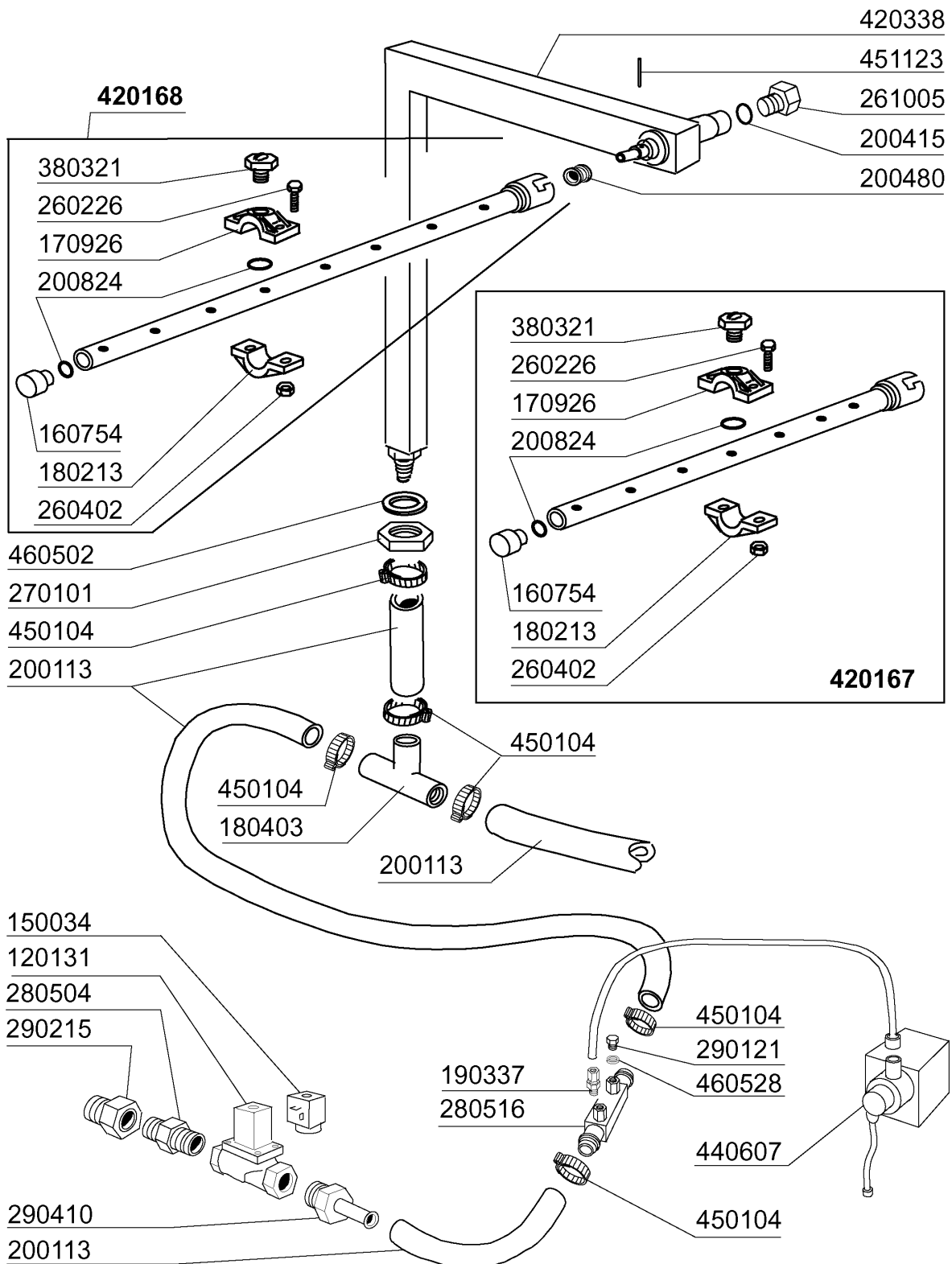
* Dalla matricola:
 * A partir da la matr.
 * From serial no.
 * Ab Seriennr.
 * Despues la matr.

94865/94



25 - Wash Tank Components 600mm

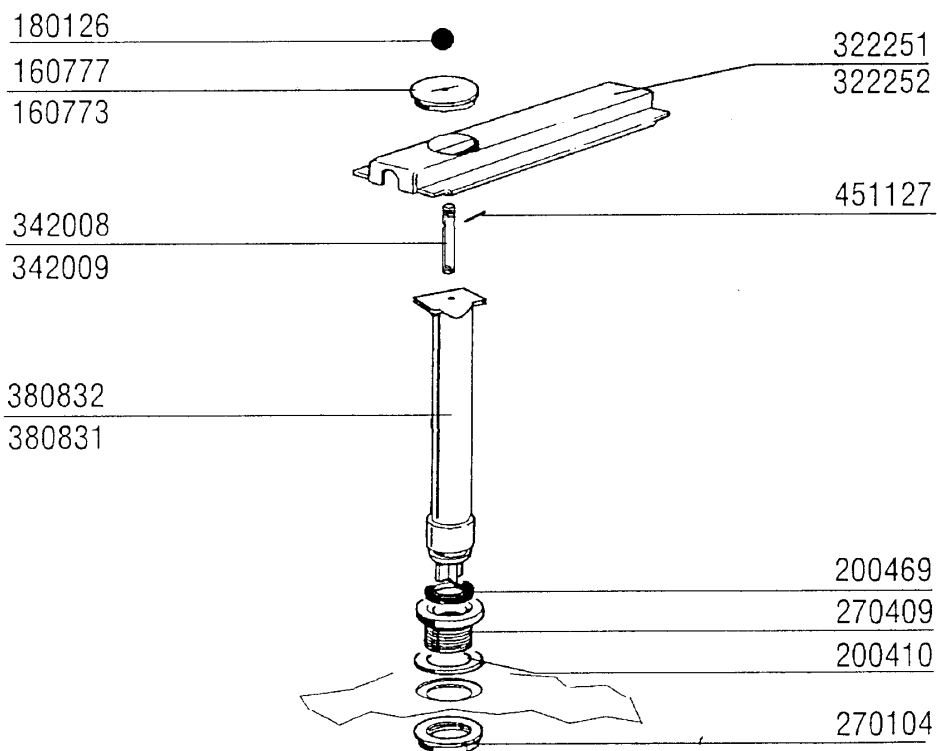
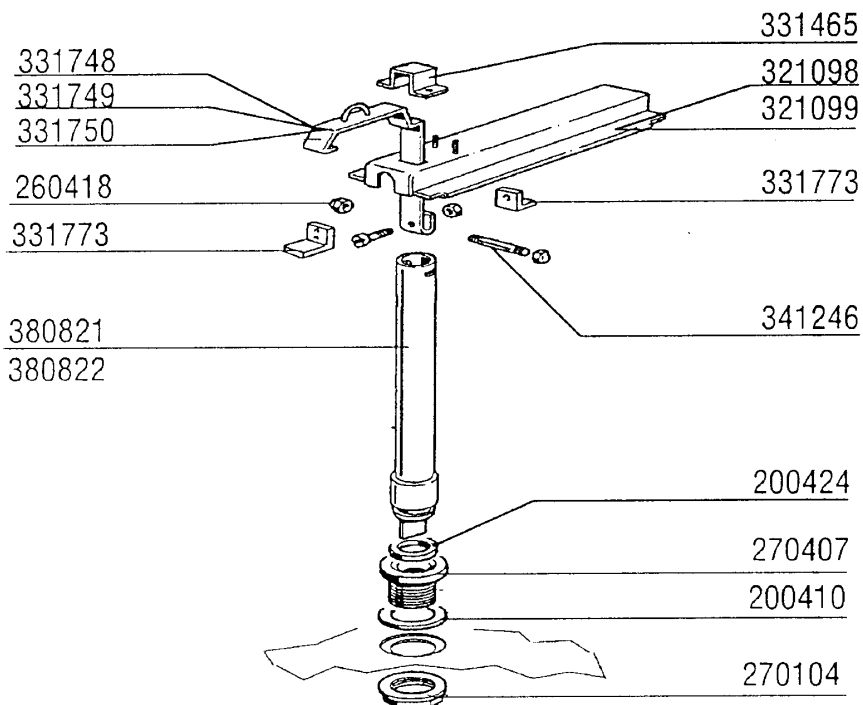
CODE	DESCRIPTION
120131	SOLEN. L182Q31-ZB10A 1/2"24V
150034	CONNEX.F.SOLEN.VALVE 122.09.N
160113	TUBE IN POL. RETIC. 12 EST
160201	ELBOW F.TANK INLET MOPLN
161102	ELEMENT COVER MOPL.
180109	LOCK NUT 1 1/2"
180128	RING NUT 65,4 C140 C85
180132	LOCK NUT 2" FOR OVERFLOW AC-AC
180235	PUMP SUCTION C85-140
180236	PUMP SUCTION FOR AC-ACR-C155
180816	STRAINER OF INLET PUMP AC-ACR
190326	ELBOW FOR OVERFLOW AC-ACR
200116	RUBBER HOSE 60X70
200127	PVC HOSE D.35
200129	HOSE 5X11 FOR PRESSURE SWITCH
200410	DRAIN OUTL.WASH.1 1/2"65X47X2
200412	GASKET DRAIN 1 1/2" 45X33X3
200415	AIR TRAP GASKET -F2 18,5X10X3
200815	O-RING F. HEAT.ELEM.
200906	GASKET D.92X66X2
250806	TANK FILL HOSE CLAMP - AC/ACR
260407	STAINLESS STEEL NUTS D10 UNI 5
270101	HEXAGON LOCK NUT 1/2"
270104	LOCK NUT 1" 1/2
270107	BRASS LOCK NUT 3/8" FL803
270407	TANK DRAIN OUTLET ACR
290217	HOSE CLAMP ELBOW 12X3/8" TYPE
321098	SUPPORT
330583	PREWASH FILTER AC/ACR
331584	ELBOW FOR AC-ACR OVERFLOW
380830	AIR TRAP ST/ST FOR AC-ACR-GMC
450125	ELASTIC CLAMP D. 10,4X9,8
450515	STAINL.ST.SHIELD FOR 1 THERMOS
450911	DIGITAL THERMOSTAT MTR10P 24/5
460501	GASKET 24X17X2



06 - 2001 S.A.G.

26 - Sanitizing system

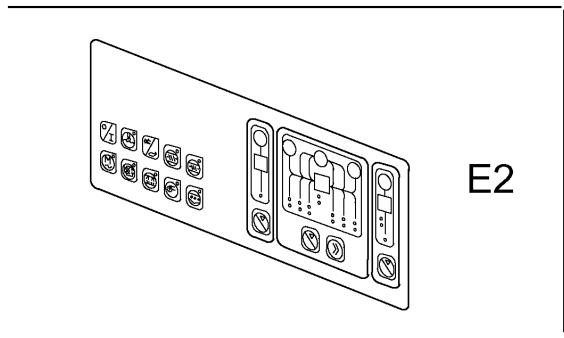
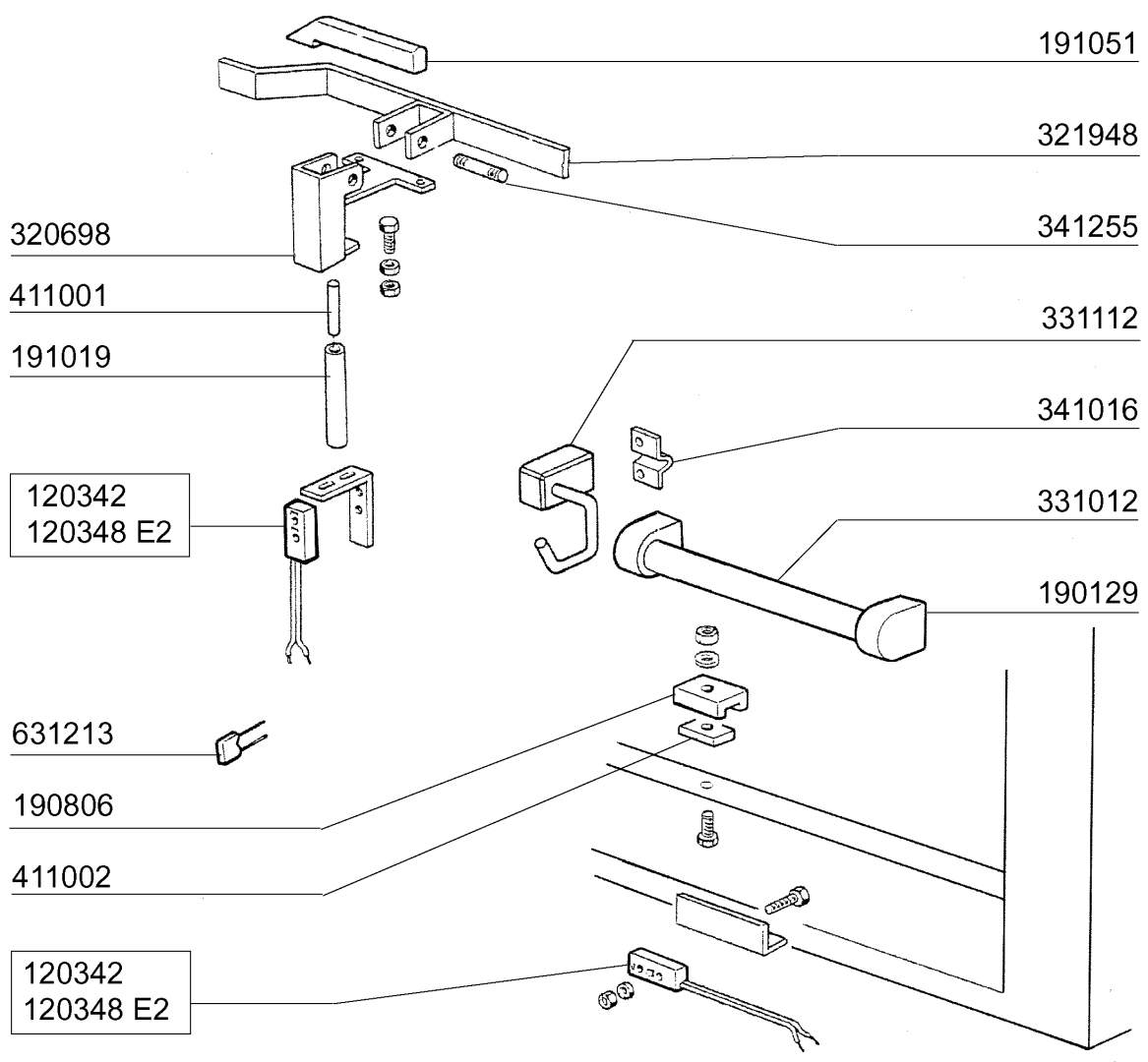
CODE	DESCRIPTION
120131	SOLEN. L182Q31-ZB10A 1/2"24V
150034	CONNEC.F.SOLEN.VALVE 122.09.N
160754	PLUG FOR RINSE ARMS SE NE
170926	RINSE JET HOLDER S-SE-NE
180213	FLANGE F.JET LOCKING F2-C34
180403	TEE-NIPPLE F2-F300-B10-11
190337	CONNECTION 1/4" X 1/8"
200113	RUBBER HOSE 12 X 22
200415	AIR TRAP GASKET -F2 18,5X10X3
200480	GASKET F. RINSE CONNECT.
200824	O-RING 1,78X12,42X15,98
260226	STAINL.ST TCP SCREW 4X12 A2 UN
260402	STAINLESS STEEL NUT D4 UNI 55
261005	SCREW F. TEE UP.WASH F2-B41
270101	HEXAGON LOCK NUT 1/2"
280504	MANIFOLD CONN.HOSE
280516	CONNECTION 14M X 2
290121	BRASS PLUG 1/8"
290215	1/2"BSP M/F UNION BRASS
290410	NIPPLE 1/2"
380321	RINSE JETS OV 1/8" 303 40LT 80
420167	WASH ARM FOR SELF CLEANING
420168	WASH ARM FOR SELF CLEANING
420338	SELF-CLEANING RAMP NE
440607	INJECTOR 24V 50HZ
450104	CLAMP FE ZN H=12,5 15-24
451123	ELASTIC PIN 4X16
460502	GASKET 30X21X2
460528	GASKET 15X10X2 FOR RINSE NIPPE



01-96

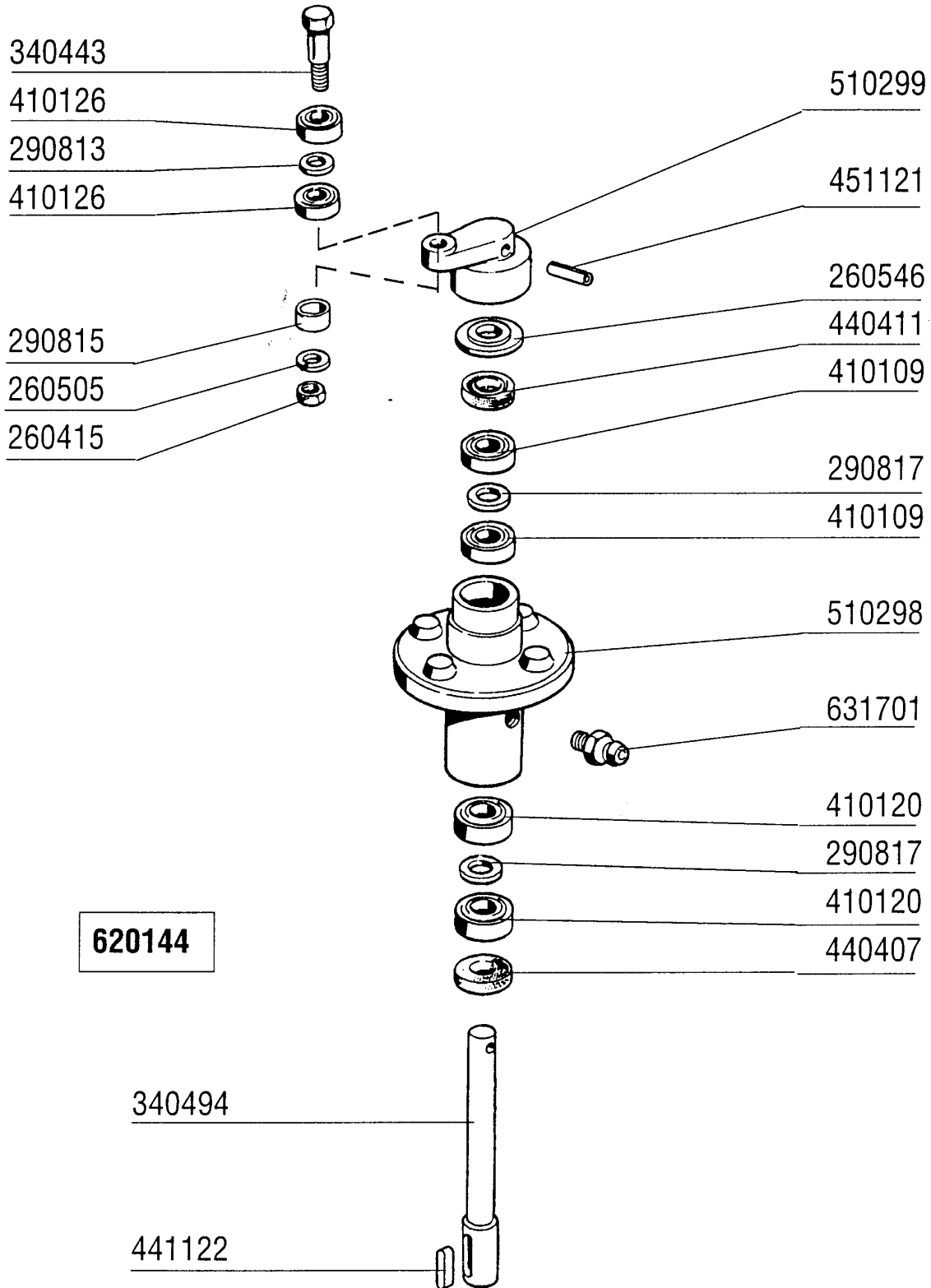
27 - Drain Parts

CODE	DESCRIPTION
160773	PLUG FOR OVERFLOW PIPE
160777	OVERFLOW PIPE PLUG PREWASH AC-
180126	HANDLE F.OVERFLOW PIPE SNL
200410	DRAIN OUTL.WASH.1 1/2"65X47X2
200424	O RINGS WASH/PRE-WASH ARMS
200469	STAND PIPE O RING 45X35,5X7
260418	SELF-LOCKING NUT M4
270104	LOCK NUT 1" 1/2
270407	TANK DRAIN OUTLET ACR
270409	DRAIN OUTLET AC-ACR
321098	SUPPORT
321099	SUPPORT
322251	SUPPORT
322252	SUPPORT
331465	BRACKET FOR UNLOADING
331748	PREWASH OVERFLOW LEVER FOR AC-
331749	WASH OVERFLOW LEVER FOR AC-ACR
331750	WASH OVERFLOW LEVER-ACR CORNER
331773	BRACKET
341246	SHAFT FOR AC-ACR OVERFLOW
342008	OVERFLOW SPACER PREWASH TANK A
342009	OVERFLOW SPACER WASH TANK AC-A
380821	OVERFLOW PIPE WASH TANK ACR
380822	OVERFLOW PIPE PREWASH TANK ACR
380831	OVERFLOW PIPE PREWASH TANK AC-
380832	OVERFLOW PIPE WASH TANK AC-ACR
451127	ELASTIC PIN 5X34



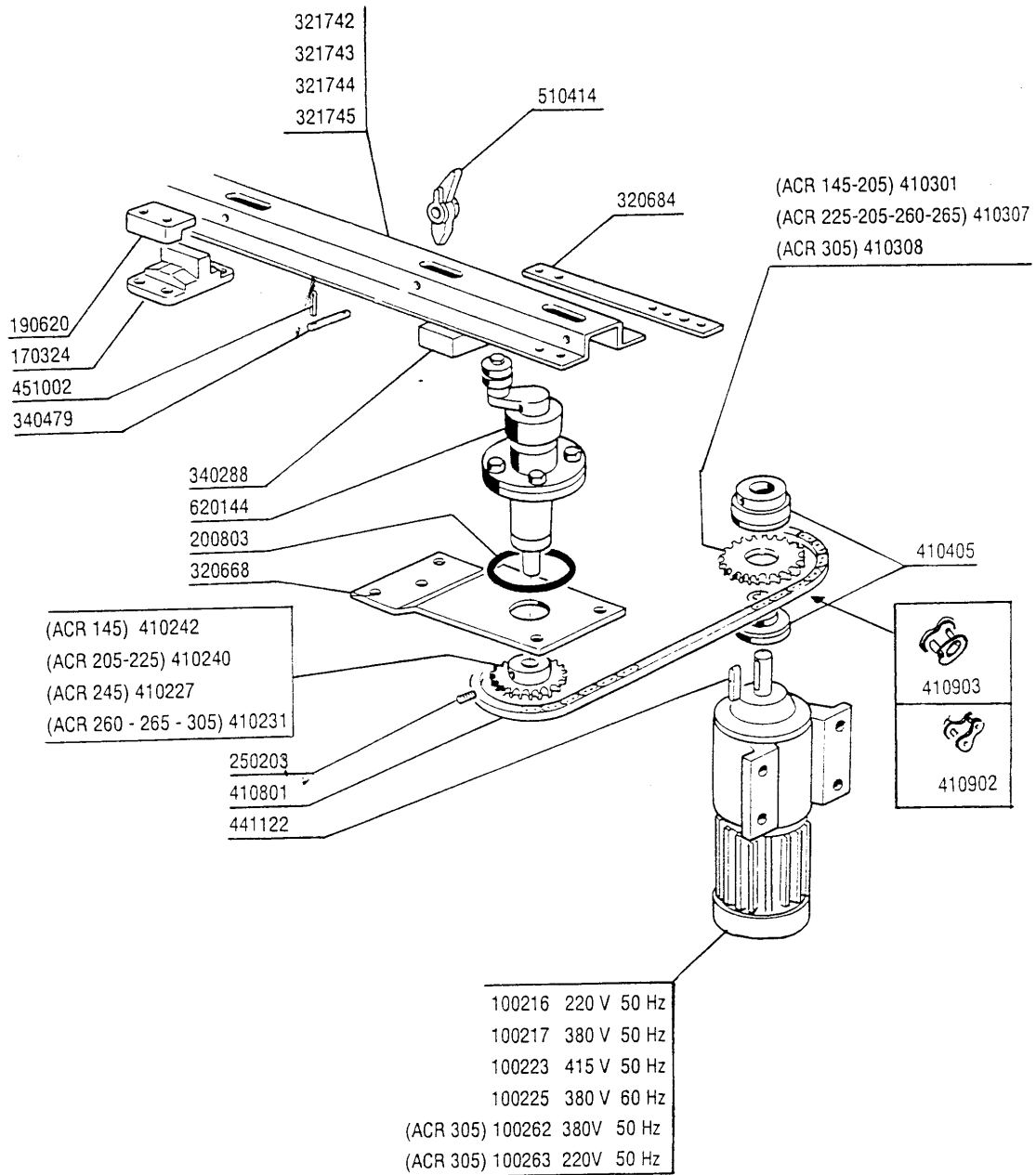
07 - 2002 S. AG.

CODE	DESCRIPTION
120342	DOR MAGNETIC SWITCH
120348	MAGN.SWITCH (N.O.)
190129	HANDLE SUPPORT SE NE GREY
190806	MAGNET HOUSING
191019	MAGNET HOUSING S90 MOPL.-S.N.L
191051	SLIDING PAD SE SNL ECONOMIZER
320698	LEVER FOR ECONOMIZER SE SNL
321948	GUIDE
331012	HANDLE 412 MM DOOR SE NE G115
331112	HOOK (331116)
341016	BRAKET FOR DOOR SECURITY HOOK
341255	PIN FOR ECONOMIZER SE SNL
411001	PERMANENT MAGNET 8X40
411002	PERMANENT MAGNET 24X12
631213	CAPACITOR 0,1MF



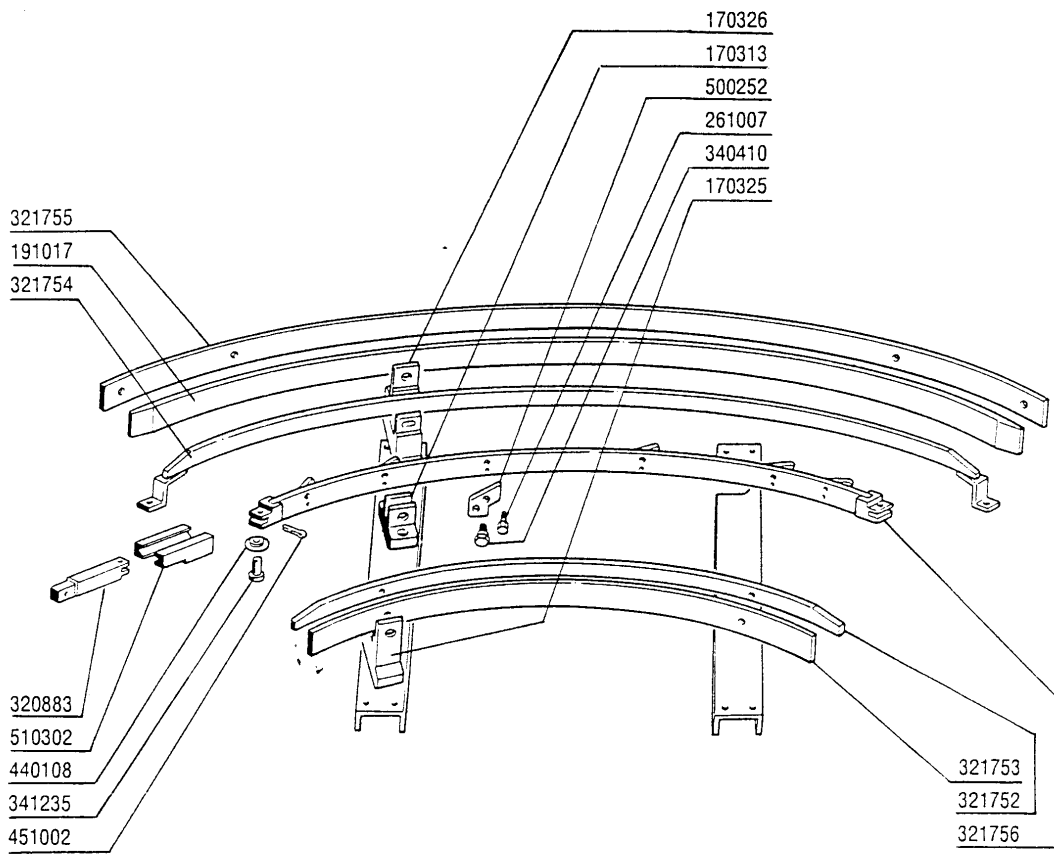
29 - Drive unit

CODE	DESCRIPTION
260415	STAINLESS STEEL SELF-LOCKING N
260505	STAINL.STEEL FLAT WASHER D8
260546	SLIDING WASHER STAINLESS STEEL
290813	PACKING PIECES BRASS S-F2
290815	DISTANCE PIECE S3Ø BRASS
290817	BRASS DISTANCE PIECE 24X14
340443	CRANK SHOULDER PIN
340494	DRIVE SHAFT S 3Ø
410109	BEARINGS 17X40X12 6203
410120	BALL BEARING 17X35X10
410126	BEARING 6201-2RS Z15
440407	SEAL MIM 20X35X7
440411	SEAL 17X40X7
441122	DRIVE SHAFT KEY 6X6X25 UNI 660
451121	ELAST.ROLL PINS 6X30
510298	DRIVE HOUSING S 3Ø
510299	NICKELPLATED BRASS DRIVE CRANK
620144	DRIVE ASSEMBLY
631701	GREASE NIPPLE 9003



30 - Drive unit

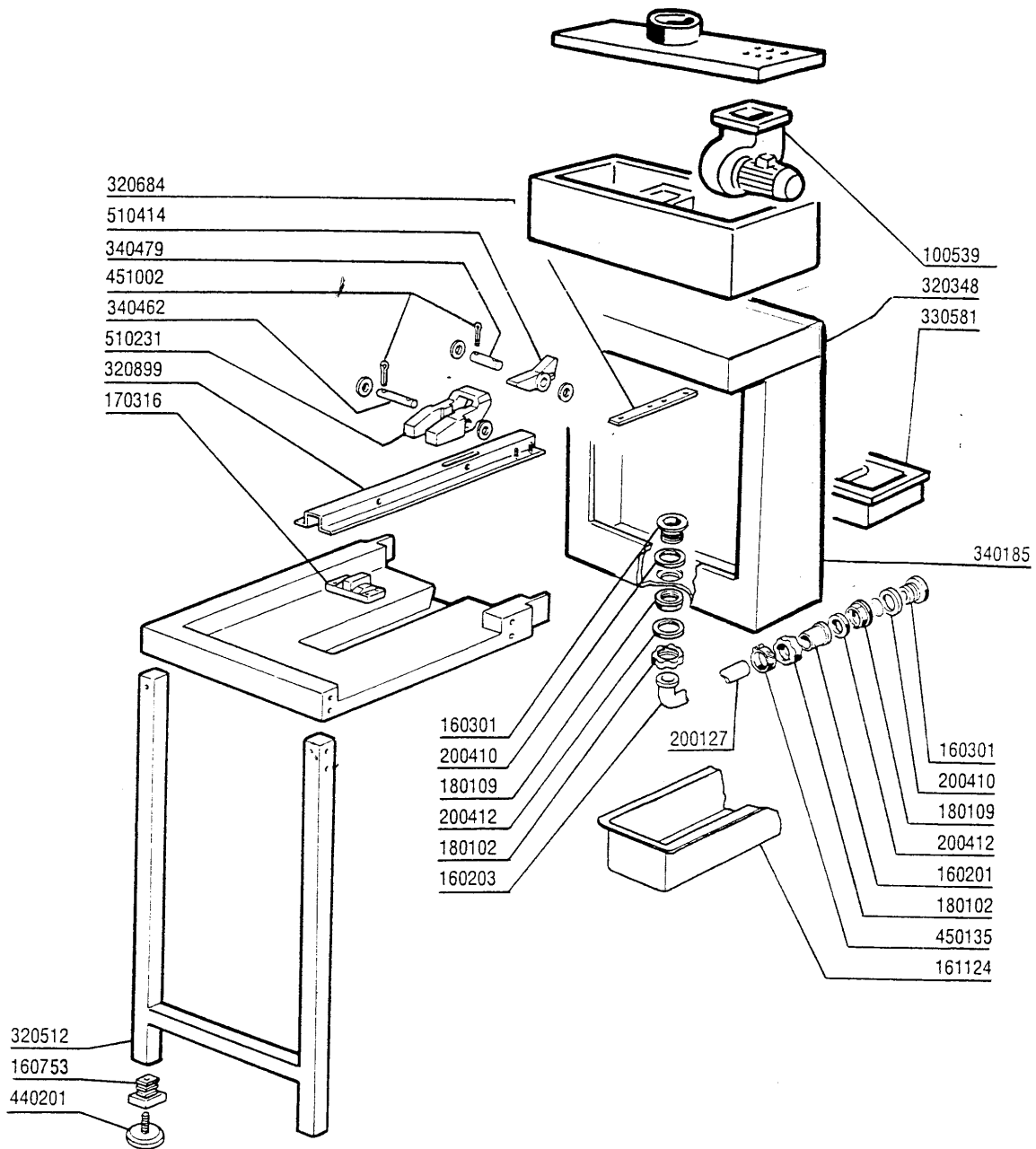
CODE	DESCRIPTION
100216	DRIVE MOTOR KW 0,11/0,15 220V
100217	DRIVE MOTOR KW 0,11/0,15 380V
100223	DRIVE KW 0,11/0,15-415/3 R40DT
100225	DRIVE MOTOR KW 0,12-220/380V-6
100262	DRIVE MOTOR KW 0,18-0,3 380V
100263	DRIVE MOTOR KW 0,18/0,3 - 220V
170324	GUIDE SUPPORT SE-S2200-290
190620	CLAMPING PIECES S 3
200803	OR GASKET 3,53X98,02X105,08
250203	GRUB SCREW 8X12
320668	PLATE
320684	BRACKET
321742	GUIDE
321743	GUIDE
321744	GUIDE
321745	GUIDE
340288	CHANNEL F.DRIVE BEARING S3Ø-SE
340479	PAWL PINS SNL-SE
410227	TURND PINION Z16-1/2"-D.20
410231	TURND PINION Z14 1/2"-D.20
410240	TURND PINION Z17-1/2"-D.20
410242	TURND PINION Z23-1/2"-D.20
410301	CROWN DISCS 28T PITCH 1/2"
410307	CROWN DISCS 1/2" PITCH
410308	CROWN DISCS 35T 1/2" PITCH
410405	TORQUE LIMITER D.25 NTP SE/1
410801	DRIVE CHAIN 1/2" N-S
410902	FALSE CHAIN LINK 1/2"
410903	CHAIN JOINT 1/2"
441122	DRIVE SHAFT KEY 6X6X25 UNI 660
451002	COTTER PIN STAINL.ST. D2X12
510414	NICKEL-PLATED PAWL SNL-SE
620144	DRIVE ASSEMBLY



31 - Corner Wash Guide

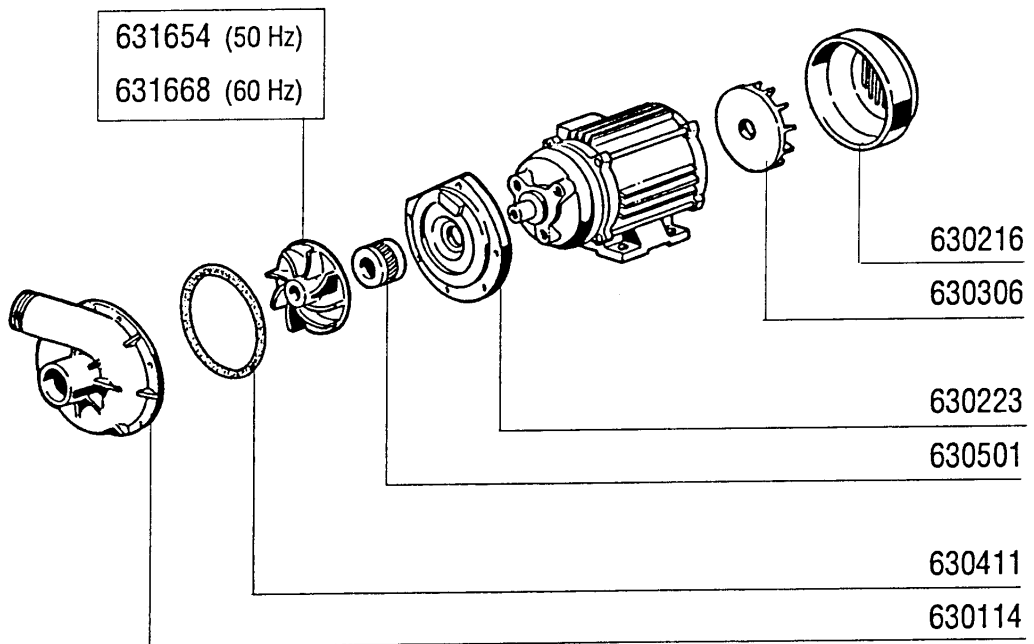
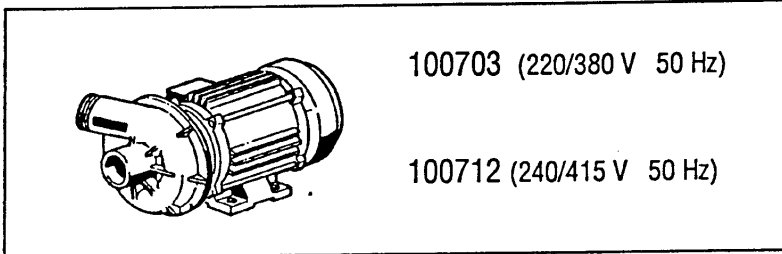
CODE	DESCRIPTION
170313	FRICTION PAD
170325	INT. GUIDE SUPPORT SE CORNER
170326	EXT.GUIDE SUPPORT SE CORNER
191017	ANTIFRICT.COVER F.EXT.GUIDE CO
261007	SPECIAL SCREW 5M
320883	GUIDE HINGE ACR
321752	GUIDE
321753	GUIDE
321754	GUIDE
321755	GUIDE
321756	GUIDE
340410	PAWL PINS (WASH) STAINLESS STE
341235	PIVOT PIN SE
440108	WHEEL F.CENTRAL SLIDING
451002	COTTER PIN STAINL.ST. D2X12
500252	PAWLS FOR WASHING /ACR CORNER
510302	GUIDE FOR WHEEL SE

32 - Side Loading Table



32 - Side Loading Table

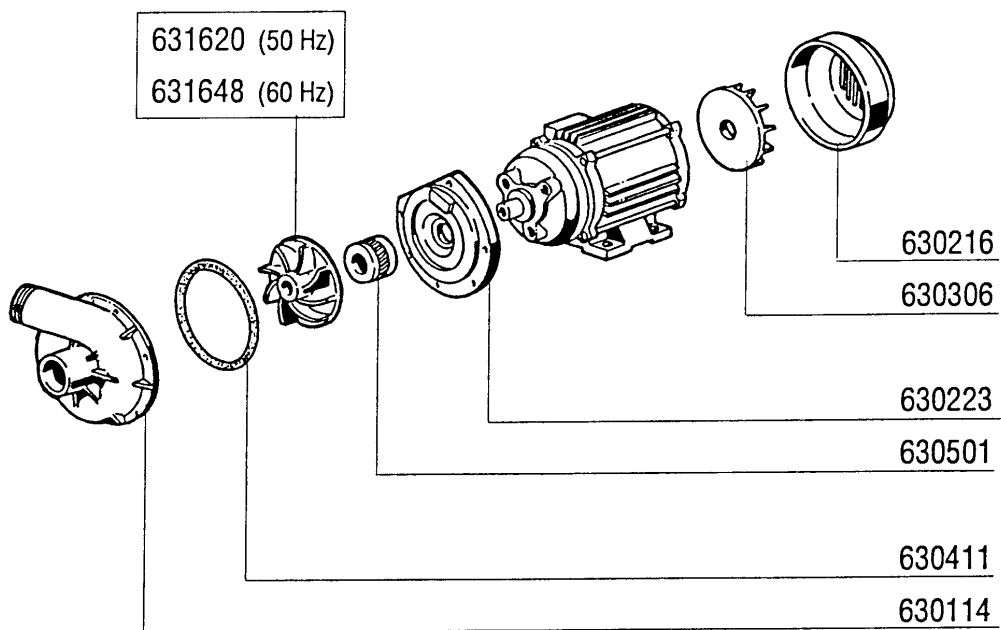
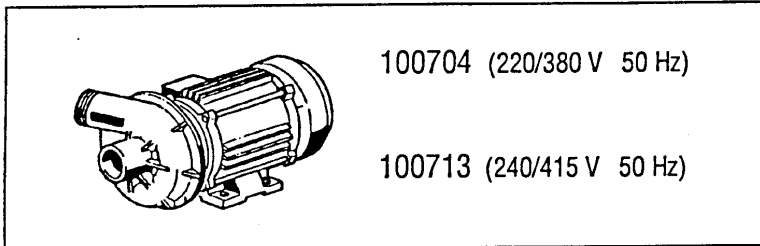
CODE	DESCRIPTION
100539	EXHAUST FAN F.SPLASH GUARD 220
160201	ELBOW F.TANK INLET MOPLN
160203	ELBOW 1"1/2 N-S-F-C /DRAIN
160301	DRAIN OUTLET 1"1/2 C-S-N
160753	PLUG 40X40X1
161124	DRYING OUTLET HOSE PROTECTION
170316	SUPPORT OF PAWL BAR GUIDE CO
180102	DRAIN PIPE NUT 1"1/2 F45-55
180109	LOCK NUT 1 1/2"
200127	PVC HOSE D.35
200410	DRAIN OUTL.WASH.1 1/2"65X47X2
200412	GASKET DRAIN 11/2" 45X33X3
320348	BASE TOP FOR SPLASH HOOD
320512	TABLES LEG
320684	BRACKET
320899	GUIDE
330581	DRAWER FILTER EXTENTION HOODS
340185	HOOD
340462	SHORT TRAY CARRIER PIN GM-S290
340479	PAWL PINS SNL-SE
440201	RUBBER FOOT D.60X10
450135	CLAMP FE ZN. 44-56 H=12,2
451002	COTTER PIN STAINL.ST. D2X12
510231	PAWL /CORNER LOAD.
510414	NICKEL-PLATED PAWL SNL-SE



1 - 4 - 95

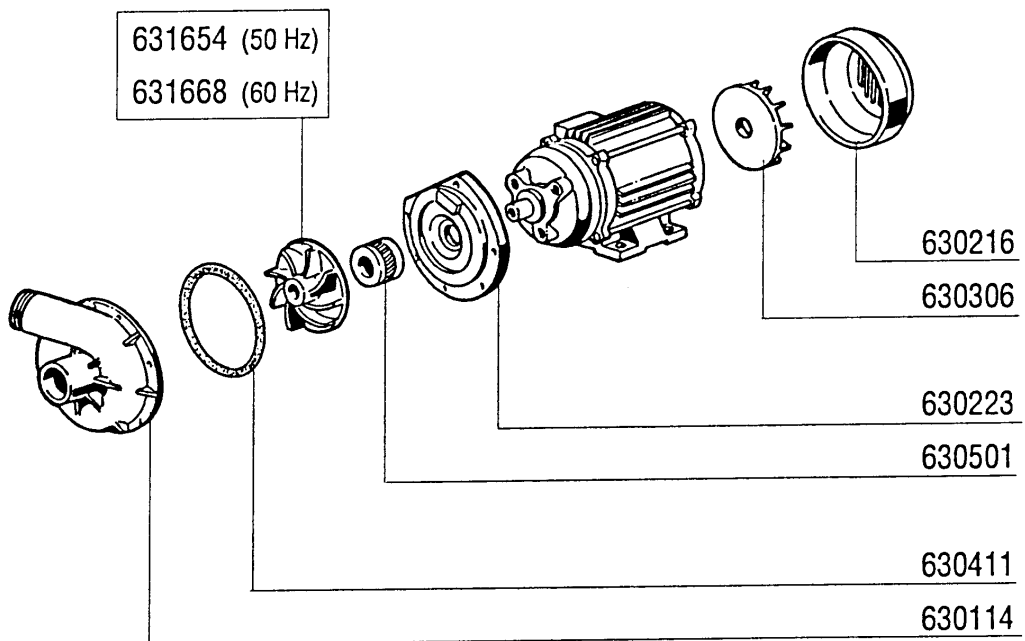
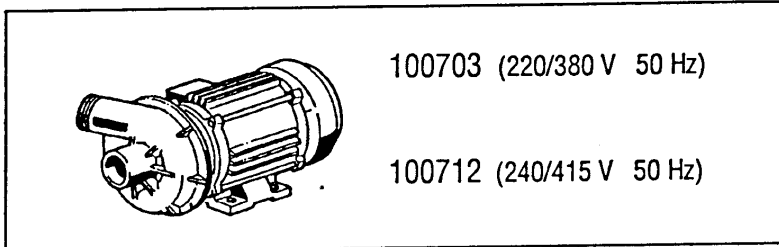
33 - Prewash pump 600mm

CODE	DESCRIPTION
100703	PUMP 1,5HP 220/380 50HZ 1241
100712	PUMP 1,5HP 240/415 1241
630114	VOLUTE FI HP2-2,7-3-3,2
630216	FAN HOUSING FIR HP 2-3
630223	BACK PLATE PUMP HP2-3-3,2
630306	PUMP FAN IMPELLOR FI HP.2-3
630411	O-RING PUMP FI HP 2-2,7
630501	SEAL FOR PUMP HP 2-3-3,2
631654	PUMP IMPELLER 1,5HP 50HZ 1241
631668	IMPELLER D.85 HP1,5-60HZ-1241



34 - Wash pump 900mm

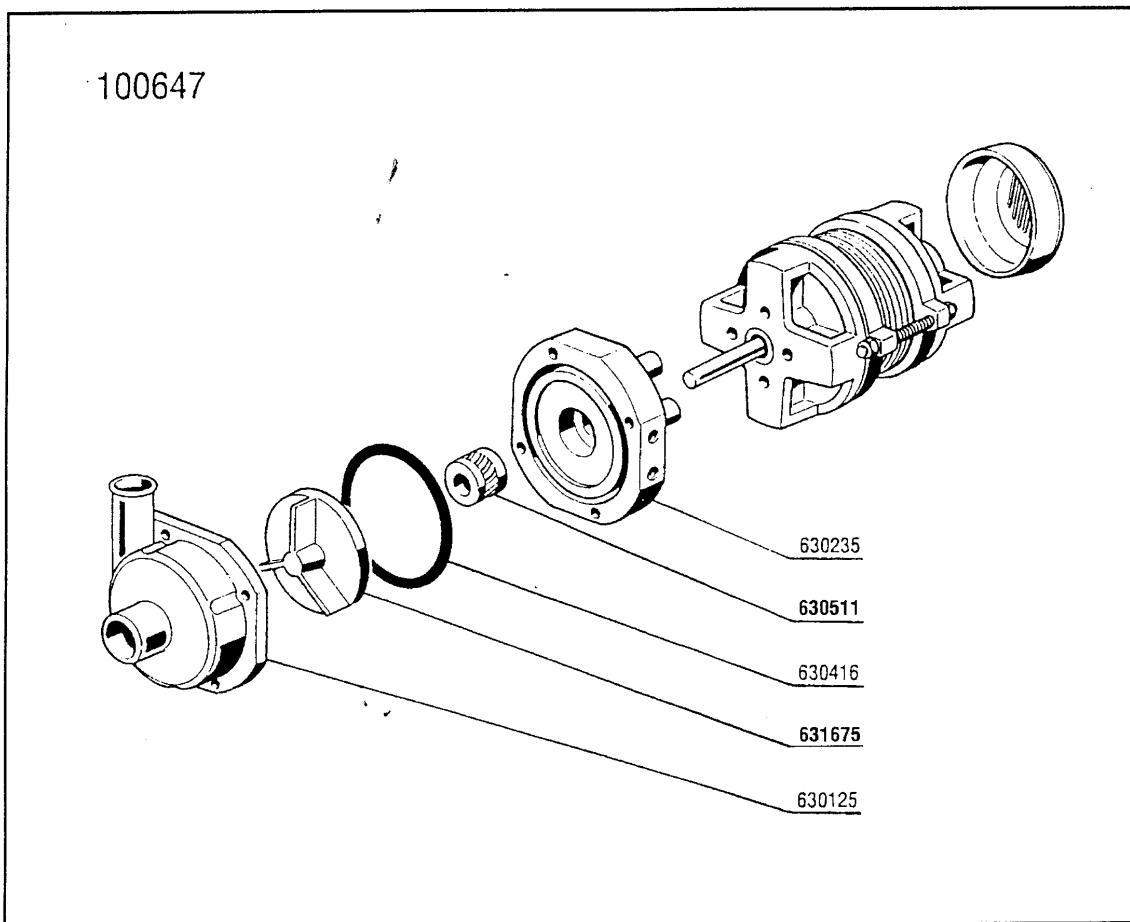
CODE	DESCRIPTION
100704	PUMP HP 3,5 220/380 50HZ 1244
100713	PUMP 3,5HP 240/415 50HZ ACR
630114	VOLUTE FI HP2-2,7-3-3,2
630216	FAN HOUSING FIR HP 2-3
630223	BACK PLATE PUMP HP2-3-3,2
630306	PUMP FAN IMPELLOR FI HP.2-3
630411	O-RING PUMP FI HP 2-2,7
630501	SEAL FOR PUMP HP 2-3-3,2
631620	IMPELLER HP 3-3,2 1205-43
631648	IMPELLER 1243 HP3,2 60HZ D.110



1 - 4 - 95

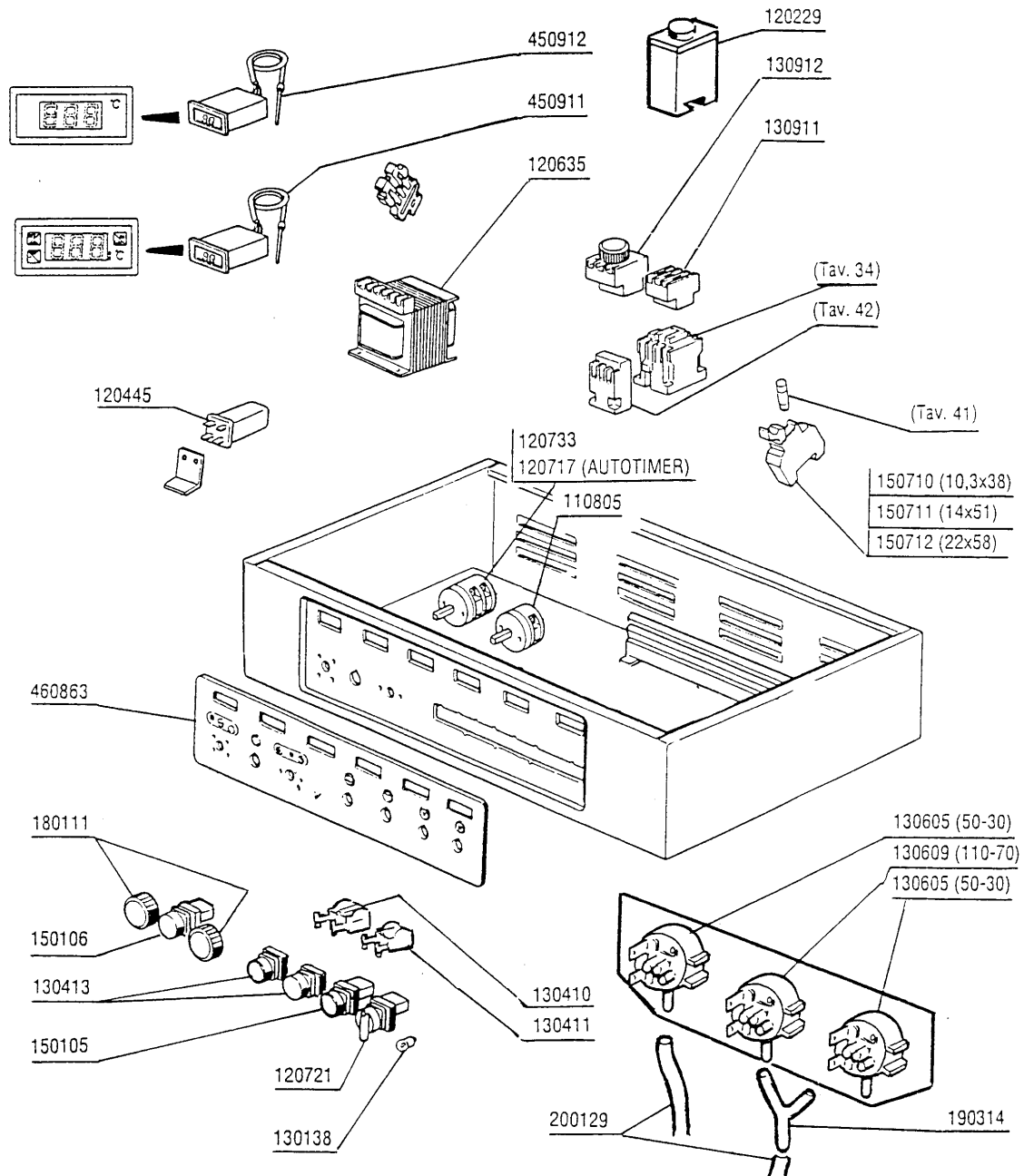
35 - Wash pump 600mm

CODE	DESCRIPTION
100703	PUMP 1,5HP 220/380 50HZ 1241
100712	PUMP 1,5HP 240/415 1241
630114	VOLUTE FI HP2-2,7-3-3,2
630216	FAN HOUSING FIR HP 2-3
630223	BACK PLATE PUMP HP2-3-3,2
630306	PUMP FAN IMPELLOR FI HP.2-3
630411	O-RING PUMP FI HP 2-2,7
630501	SEAL FOR PUMP HP 2-3-3,2
631654	PUMP IMPELLER 1,5HP 50HZ 1241
631668	IMPELLER D.85 HP1,5-60HZ-1241



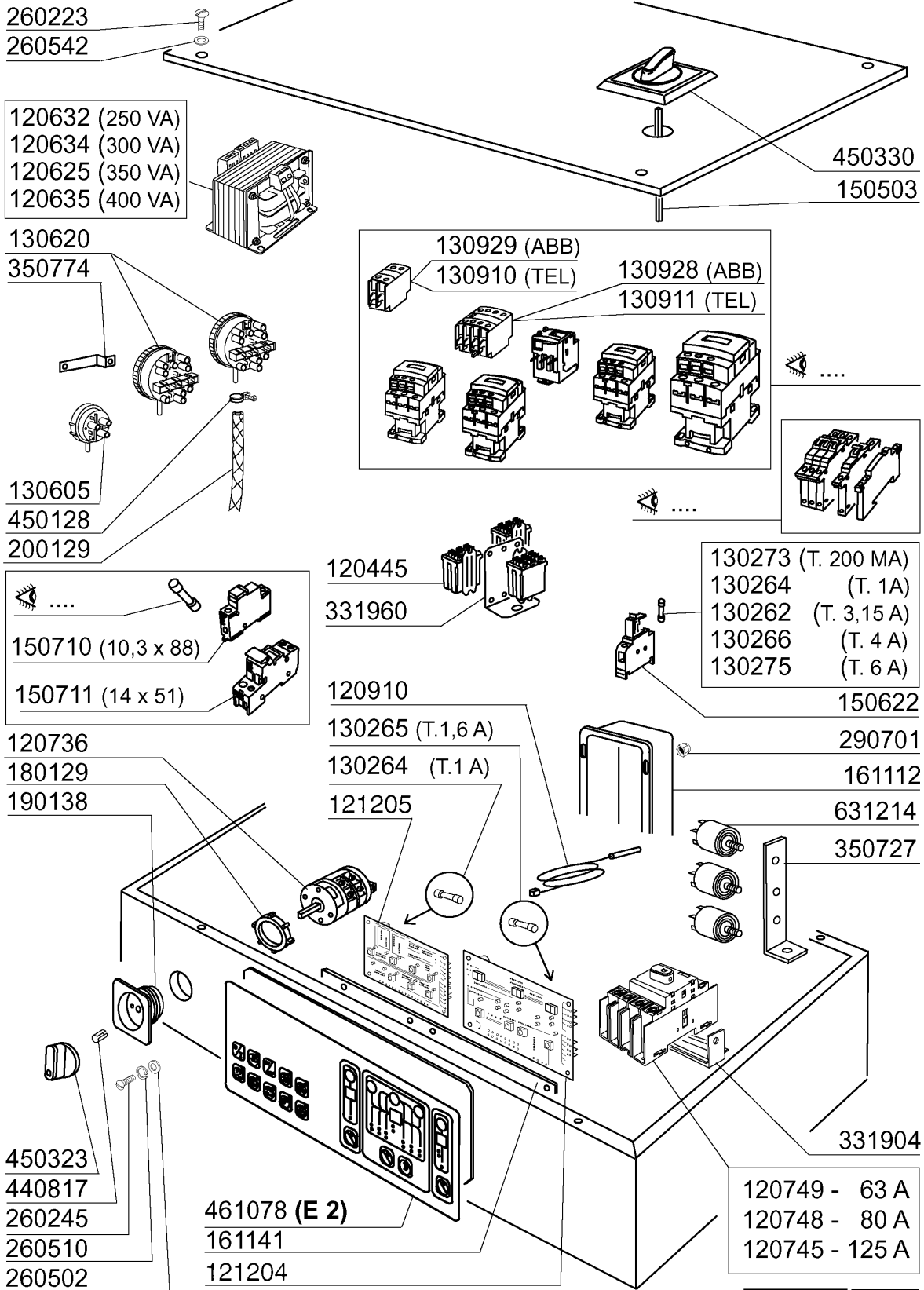
36 - Ecorinse Pump

CODE	DESCRIPTION
100647	PUMP HP 0,20 220/240/3 4226
630125	VOLUTE 0,12/0,3(2212-29)
630235	PUMP COVER 0,12/0,3 2212-19
630416	OR FOR VOLUTE 0,12/0,3
630511	PUMP SEAL HP 0,10 82
631675	ST/ST PUMP IMPELLER 0,2HP 2226



37 - Control Box

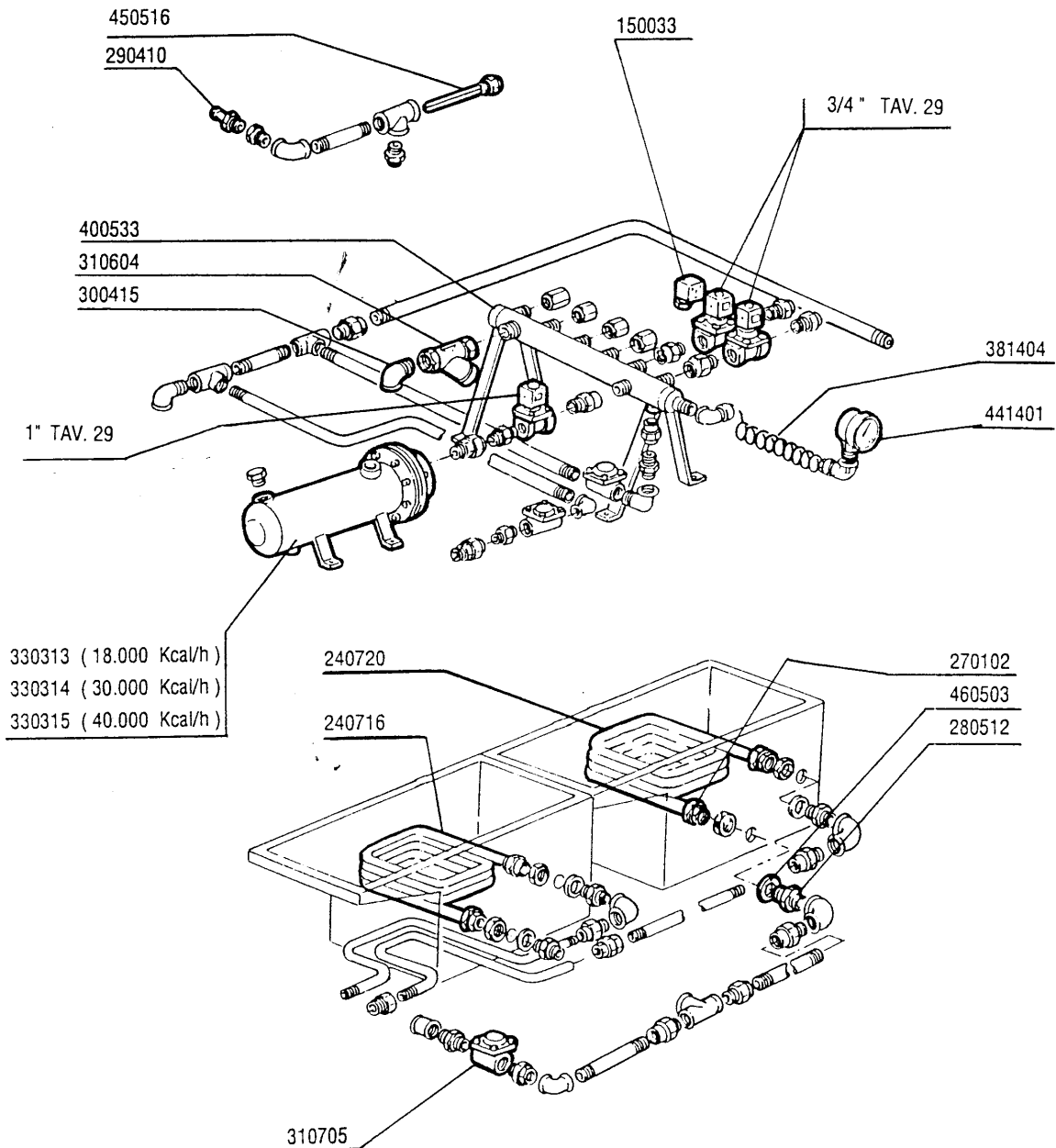
CODE	DESCRIPTION
110805	SWITCH THREEPOLE
120229	ELECTR.TIMER 24V AUTOTIMER S-S
120445	AUXILIARY RELAY S.B2/3 24V
120635	TRANSFORMER 400VA220-240-380-4
120717	SWITCH 25 AMP FIVE-POLE S-SE A
120721	SELECT.SWITCHRM300N-SHORT KNOB
120733	4-POLE SWITCH 25A 500V
130138	LIGHT WITH BAYONET COUPLING 3W
130410	STOP CONTACT F40 CN RED
130411	START CONTACT YELLOW
130413	GREEN PUSH BUTTON
130605	PRESSURE SWITCH 50-30 1 LEVEL
130609	1 LEVEL PRESSURE SWITCH 110-70
130911	CONTACT LA1 D40 A65
130912	TIMER CONTACT 0,1/30SEC. LA3D2
150105	LAMP RED D.22X5
150106	LAMP GREEN 22X5
150710	FUSE CARRIER 10,3X38 ART.21401
150711	FUSE CARRIER 14X51 ART.21501
150712	FUSE CARRIER 22X58 ART.21601
180111	BLACK KNOB
190314	Y-NIPPLE OF PRESS.SWITCH N 2S
200129	HOSE 5X11 FOR PRESSURE SWITCH
450911	DIGITAL THERMOSTAT MTR10P 24/5
450912	DIGIT.THERMOMETER MT10P V24/50
460863	PANEL (460865)



01 - 2002 | S. AG.

38 - Control Box -E2-

CODE	DESCRIPTION
120445	AUXILIARY RELAY S.B2/3 24V
120625	TRANSFOR.350VA 225*415/12V-24V
120632	TRANSFORMER 250VA220-240-380-4
120634	TRANSFORMER 300VA220-240-380-4
120635	TRANSFORMER 400VA220-240-380-4
120736	4 POLE MAIN SWITCH 25A 500V
120745	MAIN SWITCH 4 POLE 125A
120748	MAINSWITCH 80A 4P
120749	MAINSWITCH 63A 4P
120910	ELECTRONIC TOUCH PAD CONTROLS
121204	ELECTRONIC PANEL THERMOREG.7+1
121205	"ELECTRONIC 2" PANEL
130262	FUSE 5X20 T315MA
130264	FUSE 5X20 1A
130265	FUSE 5X20 1,6A
130266	FUSE 5X20 4A
130273	FUSE 5X20 250MA GLAS
130275	FUSE 5X20 6,3A GLAS
130605	PRESSURE SWITCH 50-30 1 LEVEL
130620	PRESSURE SWITCH 3 LEVEL 50-30/
130910	CONTACT LA1 D20 A65
130911	CONTACT LA1 D40 A65
130928	CONTACT ABB 4NO
130929	CONTACT ABB 1NO/1NC 30"
150503	EXTENTION FOR MAIN SWITCH
150622	FUSE HOLDER SIEMENS 1,5MM-6,3A
150710	FUSE CARRIER 10,3X38 ART.21401
150711	FUSE CARRIER 14X51 ART.21501
161112	BACK COVER CHANNEL 300 S N
161141	PROTECTION
180129	NUT FOR MAIN SWITCH SUPPORT
190138	SUPPORT
200129	HOSE 5X11 FOR PRESSURE SWITCH
260223	M5X12 MSH/HD SCREW SPECIAL S/S
260245	SPECIAL SCREW TC 3,5X16
260502	S/S FLAT WASHER D.4
260510	GROWER WASHER D.4
260542	WASHER D.5
290701	HEXAGON BLIND NUTS GM H12
331904	BRACKET
331960	BRACKET
350727	BRACKET
350774	BRACKET
440817	SNAP RING LSCB/1853/17/00
450128	CLAMP
450323	KNOB FOR BC-BR-C95-C155
450330	KNOB FOR MAIN SWITCH
461078	PLATE "ELECTRONIC 2"
631214	ANTI-NOISE FILTER 4011135007 3

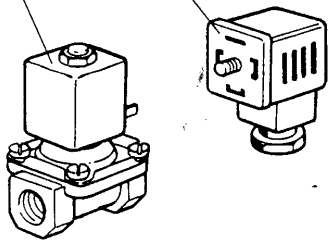


39 - Steam Version

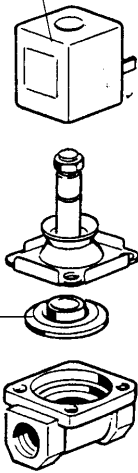
CODE	DESCRIPTION
150033	CONNEX.F.SOLEN.VALVE 182.09.N
240716	STEAM COIL G66-S3
240720	S/S STEAM COIL 12.000KCAL ACR/
270102	LOCK NUT 3/4"
280512	STEAM COIL CONNECTION
290410	NIPPLE 1/2"
300415	ELL 2" MF
310604	STRAINERS JU 2" MOD.45
310705	STEAM TRAPS MK25/3 D.1/2"
330313	STEAM BOILER 18000KCAL/H
330314	STEAM BOILER 30000 KCAL/H
330315	STEAM BOILER 40000KCAL/H
381404	HOSE STEAM GAUGE
400533	ST/ST STEAM MANIFOLD FOR NE MA
441401	PRESSURE GAUGE 60 SCALO-4CR1/4
450516	THERMOSTAT SHIELD FOR 2 TERMOS
460503	SEALING WASHER 38X27X2(3/4)

150033

120166 (1')
120165 (3/4')



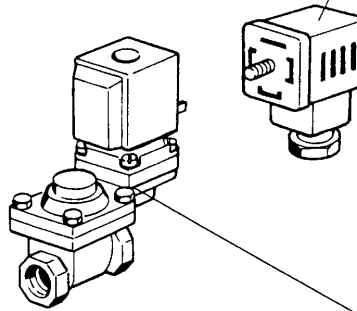
630976 (1')
630972 (3/4')



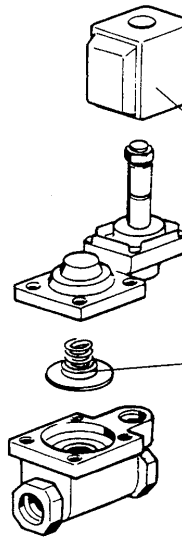
630629 (1')
630628 (3/4')

0 ÷ 2 bar

150033



120163 (1')
120162 (3/4')



630972 (1')
630973 (3/4')

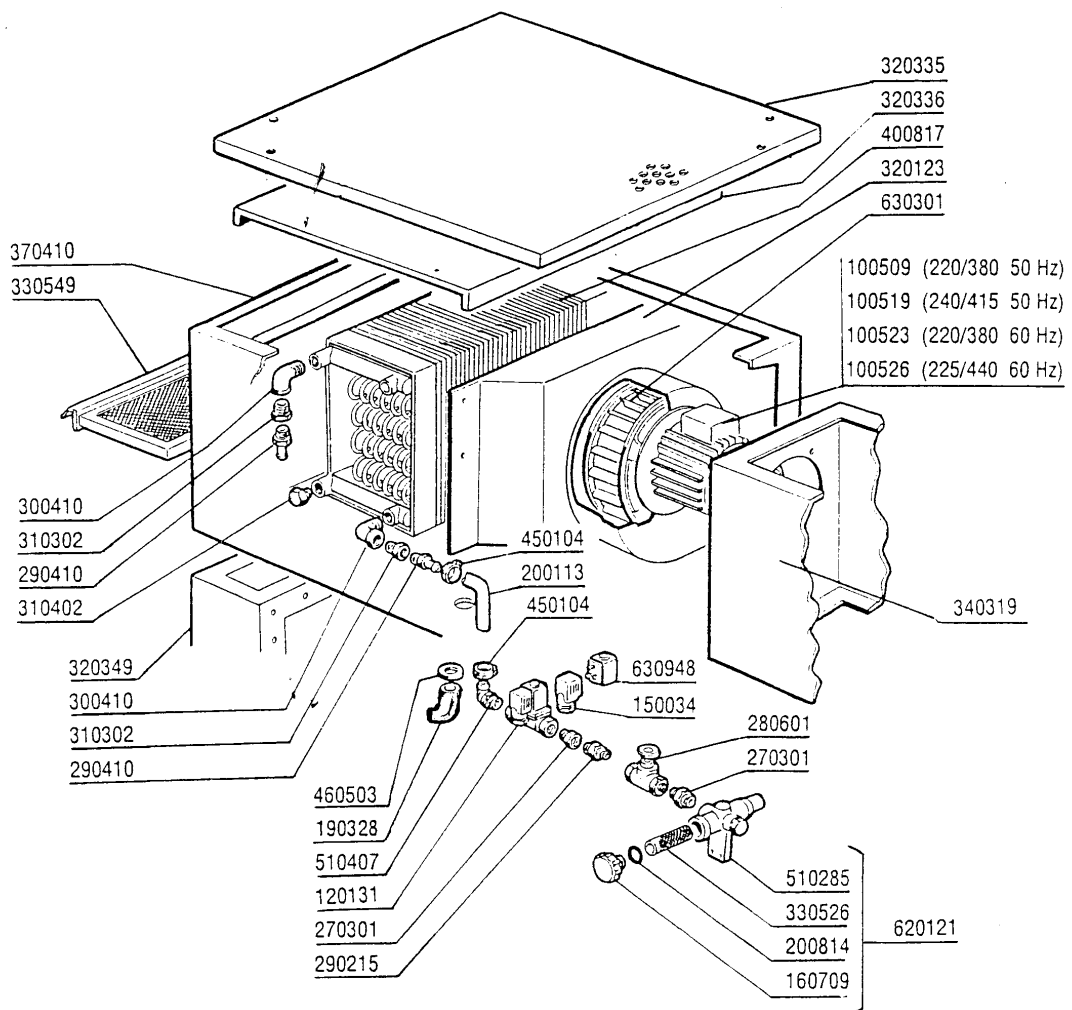
630626 (1')
630625 (3/4')

0,5 ÷ 2,5 bar

40 - Steam solenoid valve

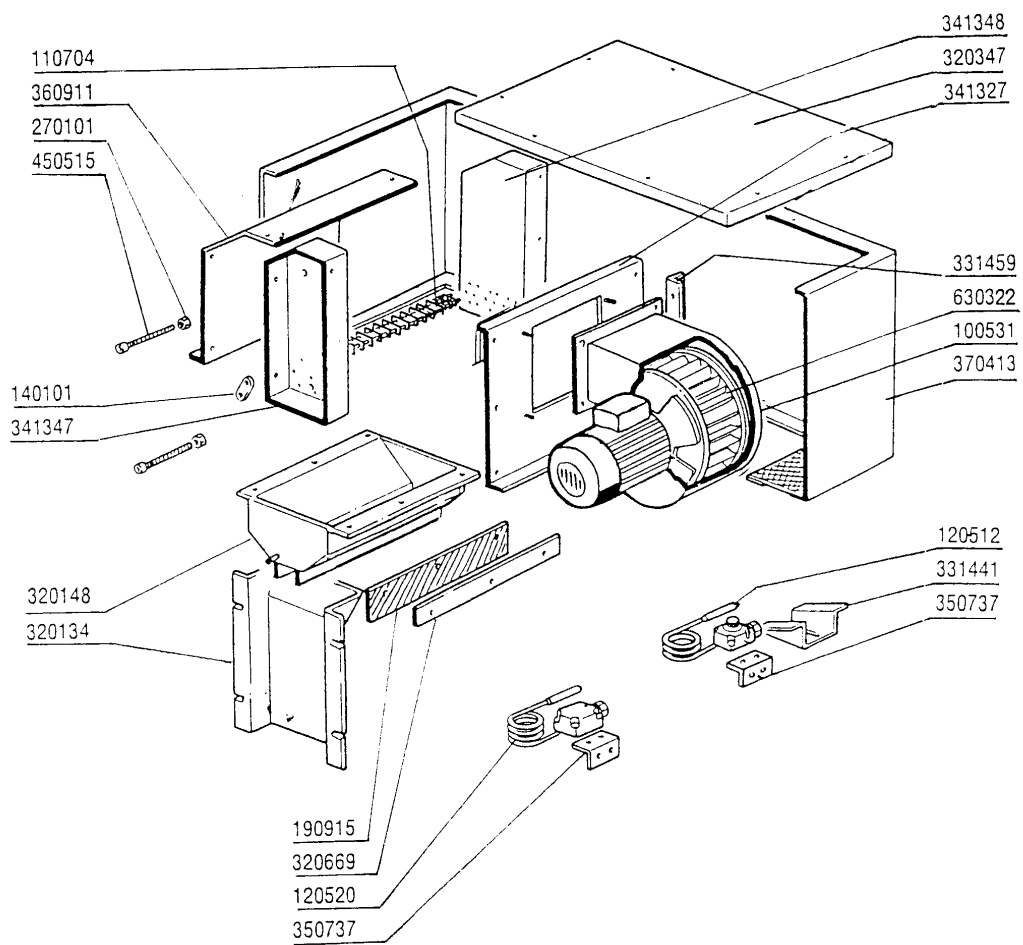
CODE	DESCRIPTION
120162	SOLENOID VALVE L145R1Z734A 3/4
120163	SOLEN.VAL.ST.L145R1Z234A 1"24V
120165	SOLEN.VALVE ST.24V50HZ 3/4"
120166	STEAM SOLEN.VALVE 1" 24V-50
150033	CONNEC.F.SOLEN.VALVE 182.09.N
630625	KIT F.SOLEN.VALVE
630626	KIT FOR SOLENOID VALVE 145 1"
630628	KIT F.SOLEN.V.L153D1 3/4"
630629	KIT SOLENOID VALVE 1" STEAM L1
630972	COIL Z534A/V.24-L145A-3/4
630973	COIL Z614A/V.24-L145-3/4 A
630976	COIL Z114A/V24/50HZ L153-1"

41 - Steam Condenser



41 - Steam Condenser

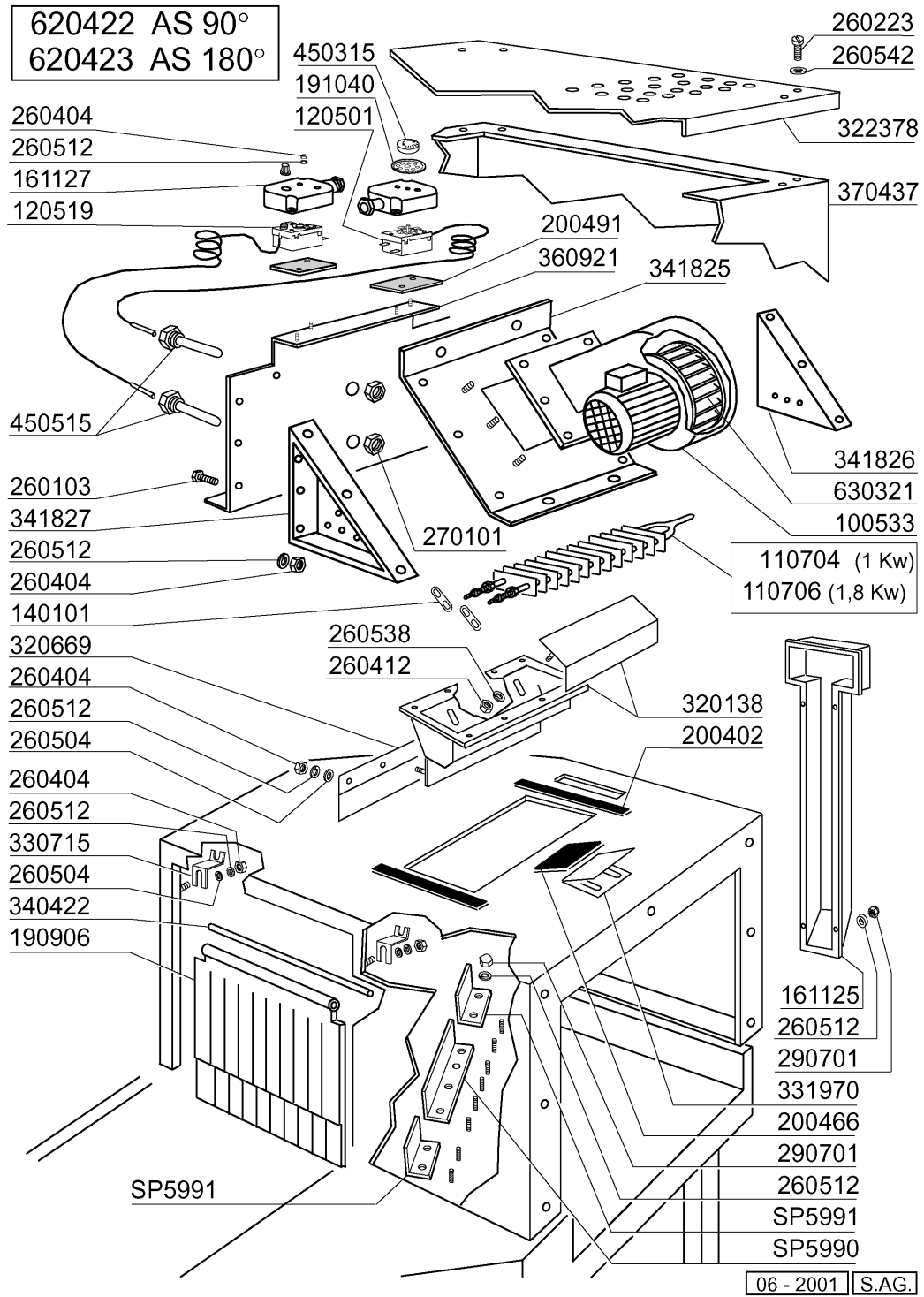
CODE	DESCRIPTION
100509	FAN 0,75HP 220/415 V164/2
100519	FAN HP0,10 220/380 VR90CAT
100523	FAN 0,75 HP 220/380V-60HZ
100526	FAN HP 0,75 255/440-60-VR184
120131	SOLEN. L182Q31-ZB10A 1/2"24V
150034	CONNEX.F.SOLEN.VALVE 122.09.N
160709	KNOB OF MANIFOLD F. SOLEN. VAL
190328	DRAIN 3/4"
200113	RUBBER HOSE 12 X 22
200814	O-RING 34,52X41,58X3,53
270301	BRASS NIPPLES 1/2"
280601	GATE VALVE 1/2" BRASS
290215	1/2"BSP M/F UNION BRASS
290410	NIPPLE 1/2"
300410	ELL 3/4" MF
310302	NIPPLE 3/4"-1/2"
310402	PLUG 3/4"
320123	VORTEX BREAKER F.STEAM CONDENS
320335	TOP PANEL FOR STEAM CONDENSER
320336	TOP PANEL FOR STEAM CONDENSER
320349	TOP FOR SPLASH HOOD WITH STEAM
330526	FILTERS 22X28 SOLENOID V.MANIF
330549	CONDENSATE UNIT FILTER
340319	PANEL
370410	CONDENSER MODULE
400817	BATTERY FOR STEAM CONDENSER +
450104	CLAMP FE ZN H=12,5 15-24
460503	SEALING WASHER 38X27X2(3/4)
510285	SOLENOID VALVE MANIFOLD - BRAS
510407	NIPPLE FOR BOILER N S
620121	TWIN SOLENOID VALVE MANIFOLD
630301	FAN IMPELLOR FOR 100509
630948	COIL Z610A 24V 50/60-L180V01



42 - Blower Dryer

CODE	DESCRIPTION
100531	FAN HP1,5-220/380/415-BPN9
110704	HEAT.ELEMENT/DRYING 1000W 220V
120512	THERMOSTAT IM50/210Ø
120520	SECURITY THERMOSTAT 110-130Ø
140101	BRASS CONNECT. PLATE HEAT.ELEM
190915	FIXING PLATE
270101	HEXAGON LOCK NUT 1/2"
320134	DRYER DEFLECTOR
320148	DEFLECTOR F. DRYER
320347	COVER FOR DRYER
320669	FIXING PLATE
331441	BRACKET FOR DRYING VENTILATOR
331459	BRACKET FOR DRYING VENTILATOR
341327	FAN SUPPORT
341347	RIGHT SUPPORT
341348	LEFT SUPPORT
350737	BRACKET FOR CLOSED THERMOSTATS
360911	PANEL
370413	DRYING MODULE
450515	STAINL.ST.SHIELD FOR 1 THERMOS
630322	FAN IMPELLOR 1,5HP BPN9S

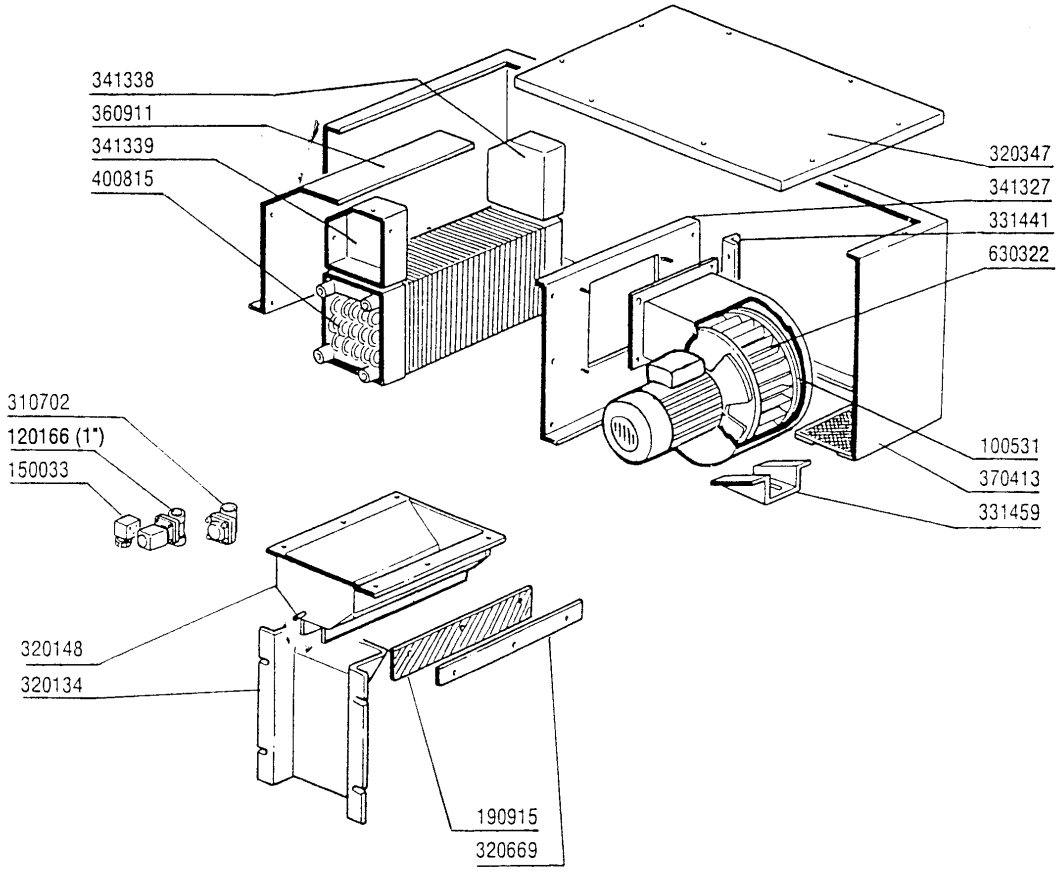
43 - Electric dryer on exit curve 90°-180°



43 - Electric dryer on exit curve 90°-180°

CODE	DESCRIPTION
100533	FAN HP 1 220-240-380-415V VRP2
110704	HEAT.ELEMENT/DRYING 1000W 220V
110706	DRYER HEAT.ELEMENT 1500W 230V
120501	THERMOSTAT 30/90°C
120519	SECURITY THERMOSTAT 95-125°C
140101	BRASS CONNECT. PLATE HEAT.ELEM
161125	BACK COVER CHANNEL S NL
161127	BOX FOR THERMOSTAT
190906	CURTAIN IN/OUT 620X480
191040	FRAME F.THERMOSTAT KNOB
200402	SELF-ADHES.RUBB.SPONGE STRIPS
200466	GASKET 100 X 4
200491	BACK GASKET OF THERMOSTAT BOX
260103	SCREW TE 6X12
260223	M5X12 MSH/HD SCREW SPECIAL S/S
260404	STAINLESS STEEL NUTS D6 UNI 55
260412	SELF-LOCKING NUT M6
260504	ST/ST FLAT WASHER D6
260512	ST/ST GROWER WASHER D6
260538	WASHER 18X6X1,5 ST/ST
260542	WASHER D.5
270101	HEXAGON LOCK NUT 1/2"
290701	HEXAGON BLIND NUTS GM H12
320138	DEFLECTOR F. DRYER
320669	FIXING PLATE
322378	COVER
330715	UPPER BRACKET CURTAIN SNL-SE
331970	FAN SUPPORT
340422	SHAFT FOR CURTAIN AC-ACR
341825	DRYER FAN SUPPORT
341826	RIGHT SUPPORT
341827	LEFT SUPPORT
360921	BACK PANEL FOR DRYER 3-4,5KW
370437	DRYING MODULE
450315	KNOB F. THERMOSTAT 90°C
450515	STAINL.ST.SHIELD FOR 1 THERMOS
620422	DRYER
620423	DRYER
630321	FAN IMPELLOR FOR C 100533 1HP
SP5990	VORTEX BREAKER
SP5991	VORTEX BREAKER

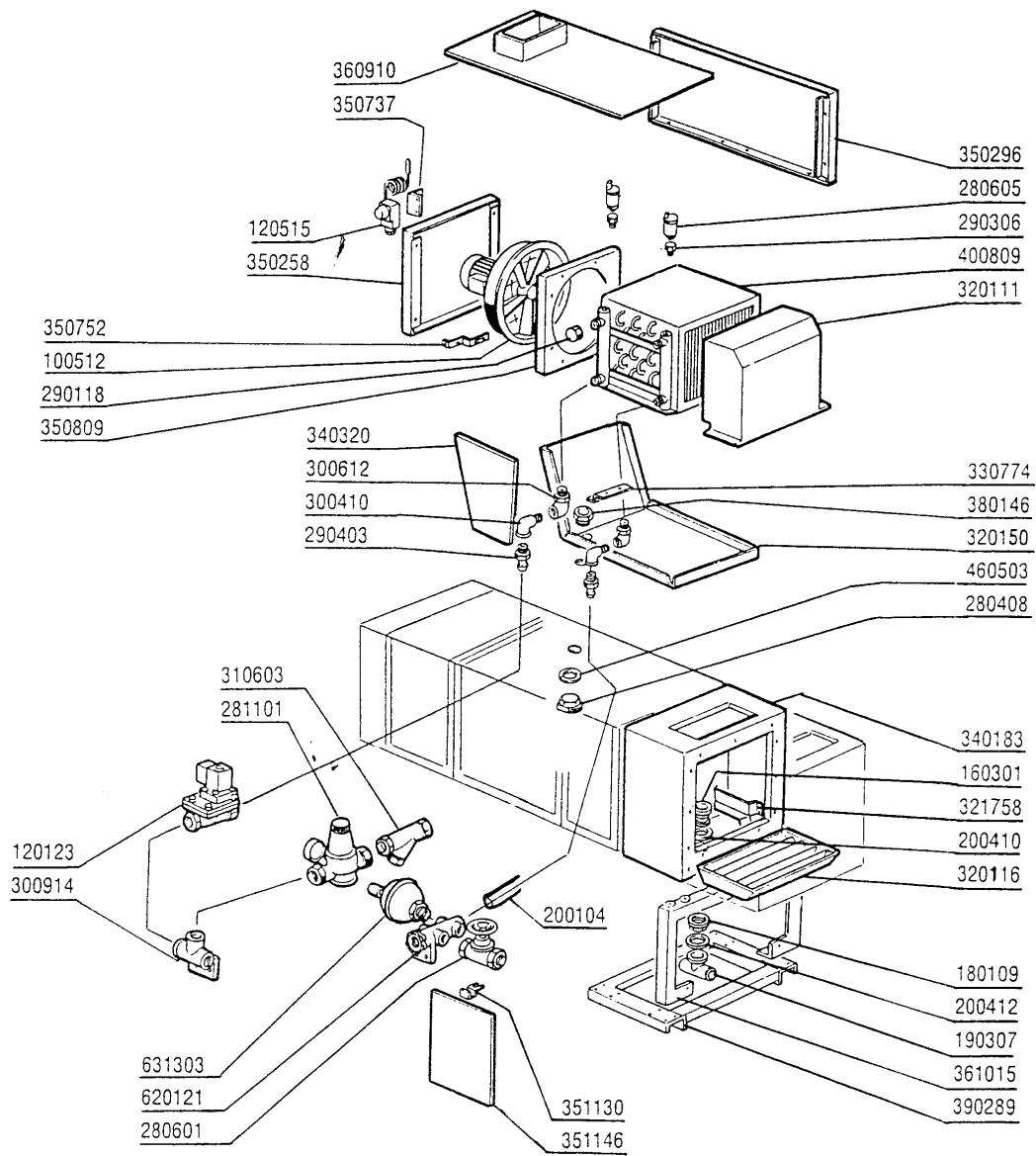
44 - Steam Blower Dryer



44 - Steam Blower Dryer

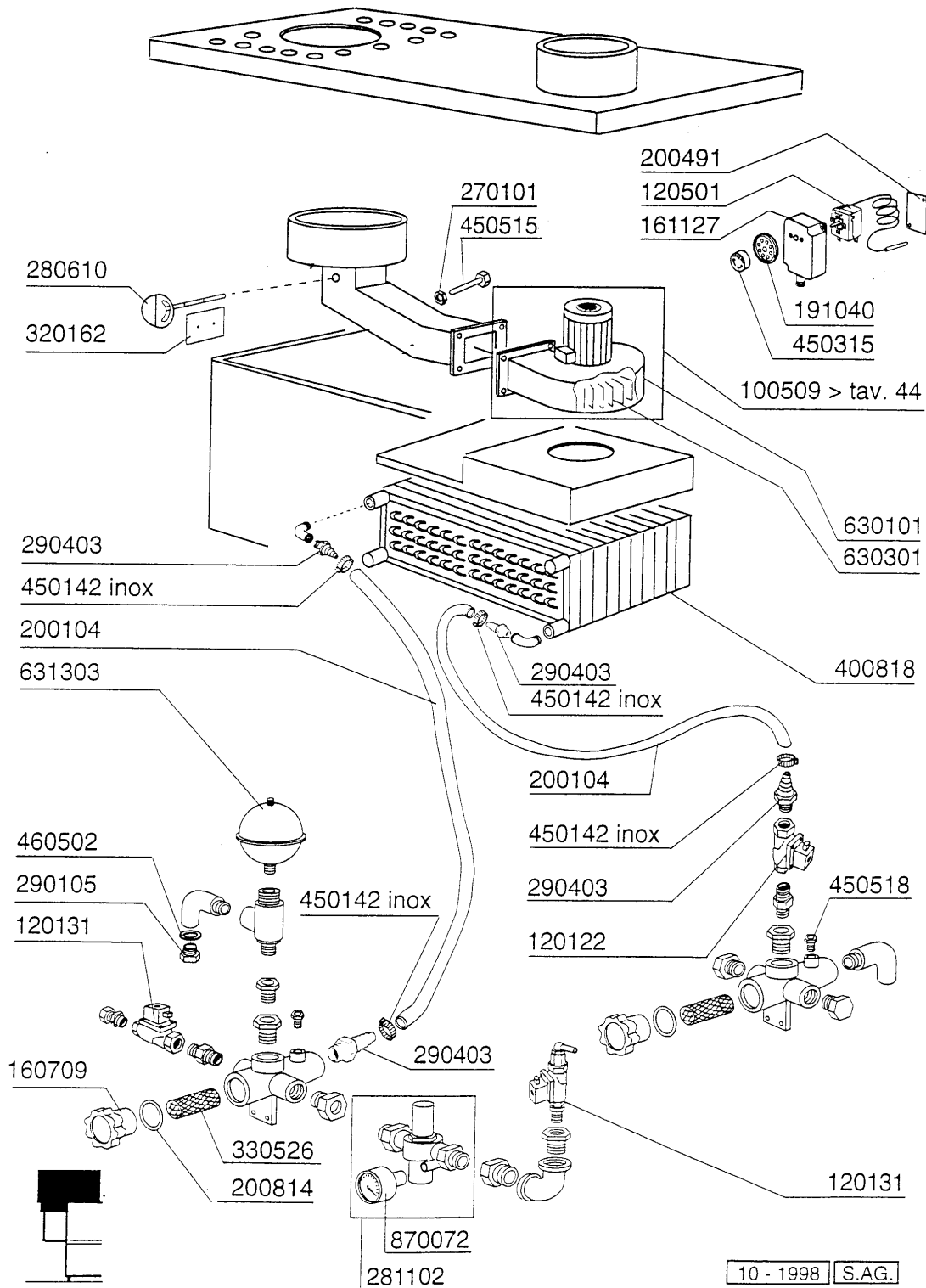
CODE	DESCRIPTION
100531	FAN HP1,5-220/380/415-BPN9
120166	STEAM SOLEN.VALVE 1" 24V-50
150033	CONNEC.F.SOLEN.VALVE 182.09.N
190915	FIXING PLATE
310702	STEAM TRAP 1/2" MK 25/3
320134	DRYER DEFLECTOR
320148	DEFLECTOR F. DRYER
320347	COVER FOR DRYER
320669	FIXING PLATE
331441	BRACKET FOR DRYING VENTILATOR
331459	BRACKET FOR DRYING VENTILATOR
341327	FAN SUPPORT
341338	RIGHT PANEL
341339	LEFT PANEL
360911	PANEL
370413	DRYING MODULE
400815	BATTERY FOR DRYING (9-12KW) SE
630322	FAN IMPELLOR 1,5HP BPN9S

45 - Heat recovery unit



45 - Heat recovery unit

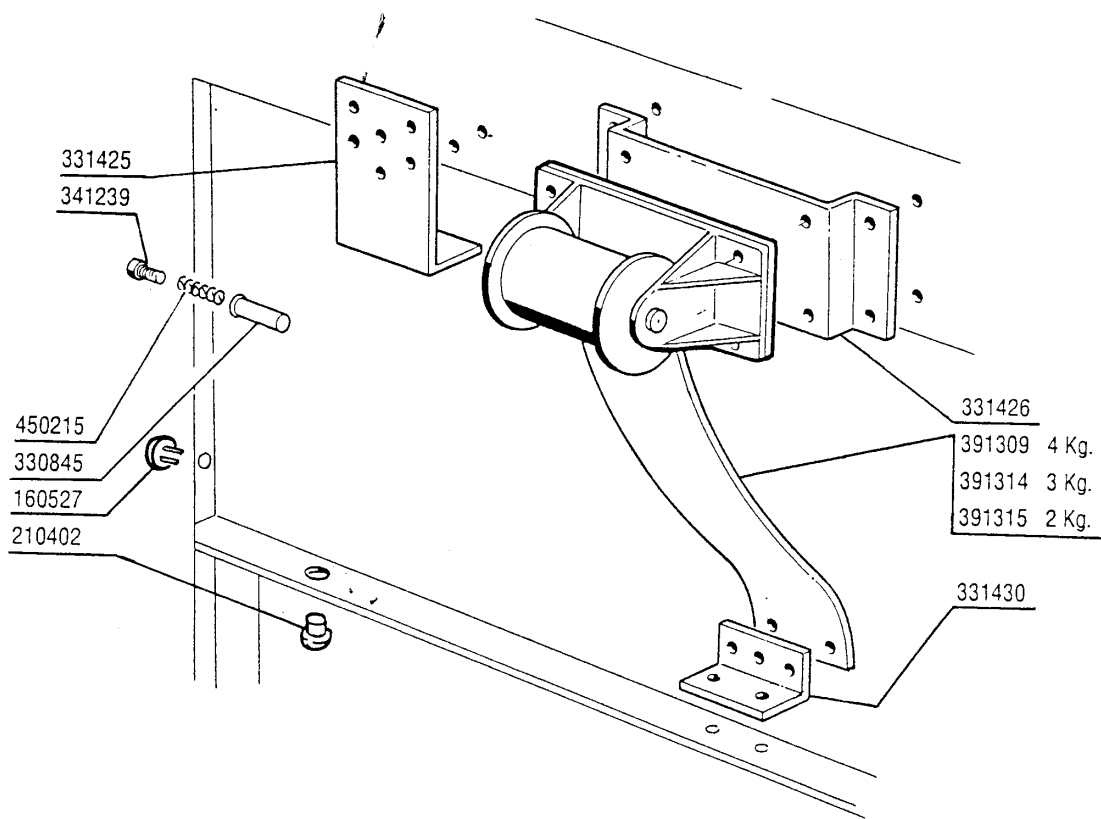
CODE	DESCRIPTION
100512	FAN HP 0,75 400EVH/4/27
120123	SOLENOID VALVE L180B12 1" V.24
120515	THERMOSTAT 0-90°C
160301	DRAIN OUTLET 1"1/2 C-S-N
180109	LOCK NUT 1 1/2"
190307	SPECIAL TEE GRAU MPL.
200104	DISCHARGE HOSE 20X30
200410	DRAIN OUTL.WASH.1 1/2"65X47X2
200412	GASKET DRAIN 11/2" 45X33X3
280408	NUT
280601	GATE VALVE 1/2" BRASS
280605	AUTOMATIC AIR VENT 1/4" GAS
281101	3/4" ADJ VALVE C/W GAUGE
290118	BRASS TE PLUG 3/4"
290306	CONNECTION 1/4 MF
290403	NIPPLE M.3/4" BRASS
300410	ELL 3/4" MF
300612	UNION ELL 3/4" F-F
300914	TEE 1"
310603	STRAINERS JU 1" MOD.45
320111	DEFLECTOR F. HRU
320116	DEFLECTOR
320150	BREAKER
321758	GUIDE
330774	BRACKET
340183	HOOD
340320	PANEL
350258	PANEL
350296	PANEL
350737	BRACKET FOR CLOSED THERMOSTATS
350752	BRACKET
350809	SUPPORT
351130	BRACKET FOR PANEL S-SE
351146	FRONT/BACK PANEL HEAT RECOVERY
360910	COVER
361015	FRAME
380146	CONDENSER UNIT DRAIN CONNECTIO
390289	FRAME
400809	CONDENSER BATTERY ENERGY REC.
460503	SEALING WASHER 38X27X2(3/4)
620121	TWIN SOLENOID VALVE MANIFOLD
631303	HYDRAULIC AIR VESSEL FOR HEAT



46 - Heat Recovery Unit Compact

CODE	DESCRIPTION
100509	FAN 0,75HP 220/415 V164/2
120122	SOLENOID VALVE 3/4 24V L180Q17
120131	SOLEN. L182Q31-ZB10A 1/2"24V
120501	THERMOSTAT 30/90°C
160709	KNOB OF MANIFOLD F. SOLEN. VAL
161127	BOX FOR THERMOSTAT
191040	FRAME F.THERMOSTAT KNOB
200104	DISCHARGE HOSE 20X30
200491	BACK GASKET OF THERMOSTAT BOX
200814	O-RING 34,52X41,58X3,53
270101	HEXAGON LOCK NUT 1/2"
280610	VALVE FOR HEAT RECOVERY UNIT
281102	1/2" ADJ VALVE C/W GAUGE TYPE
290105	BRASS-TE-PLUG 1/2"
290403	NIPPLE M.3/4" BRASS
320162	BREAKER
330526	FILTERS 22X28 SOLENOID V.MANIF
400818	BATTERY FOR HRU (SMALL)
450142	CLAMP FE ZN. 22-32 H=12,2
450315	KNOB F. THERMOSTAT 90°
450515	STAINL.ST.SHIELD FOR 1 THERMOS
450518	THERMOSTAT SHIELD FOR SNL
460502	GASKET 30X21X2
630101	ZINC VOLUTE CB62
630301	FAN IMPELLOR FOR 100509
631303	HYDRAULIC AIR VESSEL FOR HEAT
870072	PRESSURE CAUGE 0-4 ATM

47 - Door counterbalance



47 - Door counterbalance

CODE	DESCRIPTION
160527	PLUG 14,5X2X8
210402	PAD FOR DOOR 15-149
330845	BUSH FOR DOOR FRICTION RAIL N
331425	DOOR CATCH BRACKET SE
331426	BRACKET F. HOOD SPRING FIXING
331430	BRACKET FOR DOOR SPRING
341239	PIN F.DOOR FRICTION RAIL N S
391309	DOOR SPRING 4KG - 40MM
391314	DOOR SPRING 3KG - 40MM
391315	DOOR SPRING 2,5KG - 40MM
450215	SPRING F.SWITCH ROD R/B41-11-2

48 - Heating Elements

MOD.	Prelavaggio - Prelavage Prewash - Vorwaschzone Prelavado 600	Prelavaggio - Prelavage Prewash - Vorwaschzone Prelavado 900	1° lavaggio - 1° lavage 1° wash - 1. Waschzone 1° lavado 900	2° lavaggio - 2° lavage 2° wash - 2. Waschzone 2° lavado 600	2° lavaggio - 2° lavage 2° wash - 2. Waschzone 2° lavado 900	Ecorinse	Risciacquo - Rinçage Rinse - Nachspülung Aclarado
ACR 145			2 x 6 kw			1 x 4,2 kw	2 x 8 kw
ACR 145 AF			2 x 6 kw			1 x 4,2 kw	3 x 10 kw
ACR 205			2 x 6 kw			1 x 5 kw	2 x 9 kw
ACR 205 AF			2 x 6 kw			1 x 5 kw	3 x 9 kw 1 x 6 kw *
ACR 205 RC			2 x 6 kw			1 x 5 kw	2 x 6 kw 1 x 9 kw
ACR 225		2 x 5 kw	2 x 6 kw			1 x 6 kw	2 x 6 kw 1 x 8 kw
ACR 225 AF		2 x 5 kw	2 x 6 kw			1 x 6 kw	3 x 10 kw 1 x 6 kw *
ACR 225 RC		2 x 5 kw	2 x 6 kw			1 x 6 kw	2 x 6 kw 1 x 9 kw
ACR 245			2 x 5 kw	2 x 6 kw		1 x 6 kw	2 x 6 kw 1 x 8 kw
ACR 245 AF			2 x 5 kw	2 x 6 kw		1 x 6 kw	3 x 10 kw 1 x 5 kw *
ACR 245 RC			2 x 5 kw	2 x 6 kw		1 x 6 kw	1 x 6 kw 1 x 8 kw 1 x 9 kw
ACR 260			2 x 5 kw		2 x 6 kw	1 x 6 kw	2 x 6 kw 1 x 9 kw
ACR 260 AF			2 x 5 kw		2 x 6 kw	1 x 6 kw	3 x 9 kw 1 x 9 kw *
ACR 260 RC			2 x 5 kw		2 x 6 kw	1 x 6 kw	1 x 6 kw 1 x 8 kw 1 x 9 kw
ACR 265		2 x 5 kw	2 x 5 kw	2 x 6 kw		1 x 6 kw	2 x 6 kw 1 x 9 kw
ACR 265 AF		2 x 5 kw	2 x 5 kw	2 x 6 kw		1 x 6 kw	3 x 9 kw 1 x 9 kw *
ACR 265 RC		2 x 5 kw	2 x 5 kw	2 x 6 kw		1 x 6 kw	1 x 6 kw 1 x 8 kw 1 x 9 kw
ACR 305					2 x 6 kw	1 x 6 kw	3 x 8 kw
ACR 305 AF		2 x 5 kw	2 x 5 kw		2 x 6 kw	1 x 6 kw	3 x 10 kw 1 x 10 kw
ACR 305 RC					2 x 6 kw	1 x 6 kw	3 x 9 kw

	220/380	240/415
4,2 kw	110331	110331
5 kw	110371	110354
6 kw	110349	110383

	220/380	240/415
8 kw	110343	110365
9 kw	110362	110343
10 kw	110388	110381

- * 2° Boiler
- 2^{ème} surchauffeur
- 2nd boiler
- 2. Boiler
- 2° boiler

48 - Heating Elements

CODE	DESCRIPTION
110331	HEAT.ELEMENT 4200W 230/400V
110343	HEAT.ELEM. 8000W 220/380V
110349	HEAT.ELEMENT 6000W 230/400V
110354	HEAT.ELEMENT 6000W 255/440V
110362	HEAT.ELEMENT 9000W 220/380V
110365	HEAT.ELEM. 9000W 255/440V-8KW
110371	HEAT.ELEMENT 5000W 220/380V
110381	HEAT.ELEMENT 12500W 254/440V
110383	HEAT.ELEMENT 6KW 240/415
110388	HEAT.ELEMENT 10000W 230/400V

49 - Electrical parts for heatings elements

kw	220/240 V				380/415 V			
	A	FUSIBILI FUSIBLE FUZE SCHMELZSICHERUNG FUSIBLE	A	TALERUTTORE CONTACTEUR CONTACTOR SCHALTSCHÜTZ CONTACTOR	A	FUSIBILI FUSIBLE FUZE SCHMELZSICHERUNG FUSIBLE	A	TALERUTTORE CONTACTEUR CONTACTOR SCHALTSCHÜTZ CONTACTOR
3,00	12	130246	9	120428	8	130245	9	120428
4,00	12	130246	9	120428	8	130245	9	120428
4,20	12	130246	9	120428	8	130245	9	120428
5,00	16	130247	12	120429	12	130246	9	120428
6,00	20	130248	12	120429	12	130246	9	120428
8,00	32	130237	25	120437	16	130247	12	120429
9,00	32	130237	25	120437	16	130247	16	120430
10,00	32	130237	25	120437	20	130248	16	120430
12,00	40	130238	40	120431	25	130236	16	120430
12,50	40	130238	40	120431	25	130236	25	120437
14,00	40	130238	40	120431	32	130237	25	120437
15,00	50	130257	40	120431	32	130237	25	120437
16,00	50	130257	40	120431	32	130237	25	120437
17,00	50	130257	40	120431	32	130237	40	120431
18,00	63	130239	63	120431	32	130237	40	120431
20,00	63	130239	63	120433	40	130238	40	120431
21,00	63	130239	63	120433	40	130238	40	120431
22,00	63	130239	63	120433	40	130238	40	120431
23,00	80	130240	63	120433	40	130238	40	120431
24,00	80	130240	63	120433	50	130257	40	120431
25,00	80	130240	63	120433	50	130257	40	120431
26,00	80	130240	80	120441	50	130257	40	120431
27,00	80	130240	80	120441	50	130257	40	120431
28,00	80	130240	80	120441	50	130257	40	120431
29,00	80	130240	80	120441	50	130257	40	120431
30,00	80	130240	80	120441	50	130257	40	120431

ASCIUGATURA - SECHAGE - DRYER
TROCKNUNG - SECADO

kw	220/240 V				380/415 V			
	A	FUSIBILI FUSIBLE FUZE SCHMELZSICHERUNG FUSIBLE	A	TALERUTTORE CONTACTEUR CONTACTOR SCHALTSCHÜTZ CONTACTOR	A	FUSIBILI FUSIBLE FUZE SCHMELZSICHERUNG FUSIBLE	A	TALERUTTORE CONTACTEUR CONTACTOR SCHALTSCHÜTZ CONTACTOR
6	20	130248	12	120429	12	130246	12	120429
9	25	130236	25	120437	16	130247	25	120437
12	40	130238	40	120431	25	130236	25	120437

49 - Electrical parts for heatings elements

CODE	DESCRIPTION
120428	CONTACTOR 9A 24V 50HZ
120429	CONTACTOR 12A 24V 50HZ
120430	CONTACTOR 17A 24V 50HZ
120431	CONTACTOR 40A 24V 50HZ
120433	CONTACTOR 63A 24V 50HZ
120437	CONTACTOR 25A 24V 50HZ
120441	CONTACTOR 80AMP 24V 50HZ
130236	FUSE 14X51 25A GF14325
130237	FUSE 14X51 32A GL14332
130238	FUSE 14X51 40A GF 14340
130239	FUSE 22X58 63A GF15363
130240	FUSE 22X58 80A GF15380
130245	FUSE 10.3X38 8A GF13308
130246	FUSE 10.3X38 12A GF13312
130247	FUSE 10.3X38 16A GF13316
130248	FUSE 20A-10,3X38 13320 G.F.
130257	FUSE 50A 14X51 GF14350

50 - Electrical parts for pumps

220/240 V								380/415 V							
POMPA POMPE PUMPE PUMPE BOMBA		FUSIBILI FUSIBLE FUUSE SCHMELZSICHERUNG FUSIBLE		TELERUTTORE CONTACTEUR CONTACTOR SCHALTSCHÜTZ CONTACTOR		TERMICA TERMIQUE OVERLOAD RELAY THERMOAUSLÖSER TERMICO		FUSIBILI FUSIBLE FUUSE SCHMELZSICHERUNG FUSIBLE		TELERUTTORE CONTACTEUR CONTACTOR SCHALTSCHÜTZ CONTACTOR		TERMICA TERMIQUE OVERLOAD RELAY THERMOAUSLÖSER TERMICO			
HP	kw														
0,10	0,08	4	130230	9	120428	0,63 - 1,00	120820	4	130230	9	120428	0,40 - 0,63	120830		
0,12	0,09	4	130230	9	120428	0,63 - 1,00	120820	4	130230	9	120428	0,40 - 0,63	120830		
0,15	0,11	4	130230	9	120428	0,63 - 1,00	120820	4	130230	9	120428	0,63 - 1,00	120820		
0,17	0,12	4	130230	9	120428	1,00 - 1,60	120821	4	130230	9	120428	0,63 - 1,00	120820		
0,2	0,15	4	130230	9	120428	1,00 - 1,60	120821	4	130230	9	120428	0,63 - 1,00	120820		
0,22	0,17	4	130230	9	120428	1,00 - 1,60	120821	4	130230	9	120428	0,63 - 1,00	120820		
0,25	0,18	4	130230	9	120428	1,60 - 2,50	120822	4	130230	9	120428	1,00 - 1,60	120821		
0,4	0,30	4	130230	9	120428	1,60 - 2,50	120823	4	130230	9	120428	1,00 - 1,60	120821		
0,5	0,37	4	130230	9	120428	1,60 - 2,50	120823	4	130230	9	120428	1,00 - 1,60	120821		
0,6	0,44	4	130230	9	120428	2,50 - 4,00	120823	4	130230	9	120428	1,00 - 1,60	120821		
0,75	0,55	4	130230	9	120428	2,50 - 4,00	120823	4	130230	9	120428	1,60 - 2,50	120822		
1	0,75	4	130230	9	120428	2,50 - 4,00	120820	4	130230	9	120428	1,60 - 2,50	120822		
1,01	0,76	4	130230	9	120428	2,50 - 4,00	120824	4	130230	9	120428	1,60 - 2,50	120822		
1,4	1,10	8	130232	9	120428	4,00 - 6,00	120825	6	130231	9	120428	2,50 - 4,00	120823		
1,5	1,11	8	130232	9	120428	4,00 - 6,00	120825	6	130231	9	120428	4,00 - 6,00	120823		
2	1,50	8	130232	9	120428	5,50 - 8,00	120828	6	130231	9	120428	4,00 - 6,00	120823		
2,7	2,00	8	130232	9	120428	5,50 - 8,00	120828	6	130231	9	120428	4,00 - 6,00	120823		
3	2,20	12	130234	9	120428	7,00 - 10,00	120826	6	130231	9	120428	4,00 - 6,00	120823		
3,2	2,40	12	130234	12	120429	7,00 - 10,00	120826	6	130231	9	120428	4,00 - 6,00	120823		
3,5	2,60	12	130234	12	120429	10,00 - 13,00	120826	6	130231	9	120428	5,50 - 8,00	120825		
3,6	2,70	16	130235	12	120429	10,00 - 13,00	120826	8	130232	9	120428	5,50 - 8,00	120825		
3,70	2,72	16	130235	12	120429	10,00 - 13,00	120826	6	130231	9	120428	5,50 - 8,00	120825		
4,0	3,00	16	130235	16	120430	10,00 - 13,00	120826	12	130234	12	120429	5,50 - 8,00	120825		
5,3	4,00	20	130235	18		13,00 - 18,00		16	130235	12	120429	7,00 - 10,00	120828		

50 - Electrical parts for pumps

CODE	DESCRIPTION
120428	CONTACTOR 9A 24V 50HZ
120429	CONTACTOR 12A 24V 50HZ
120430	CONTACTOR 17A 24V 50HZ
120820	OVERLOAD RELAY 0,63-1A
120821	OVERLOAD RELAY 1/1,6A
120822	OVERLOAD RELAY 1,6-2,5A
120823	OVERLOAD RELAY 2.5/4 A
120824	OVERLOAD RELAY 4/6 A
120825	OVERLOAD RELAY 5,5/8 A
120826	OVERLOAD RELAY 10/13A
120828	OVERLOAD RELAY 7/10 A
120830	OVERLOAD RELAY 0,40 - 0,63 A
130230	FUSE 10,3X38 4A AM13004
130231	FUSE 10,3X38 6A AM13006
130232	FUSE 10.3X38 8A AM13008
130234	FUSE 10.3X38 12A AM13012
130235	FUSE 10.3X38 16A AM13016